

TECHNICAL FORM

TECHNICAL FORM valid as from **30 APRIL 2015**



Audi Sport TT Cup

Monobrand Technical Form

*The parts featuring on this Technical form must not be used separately and must imperatively be used all together as a whole
Each Audi TT Cup car must be in possession of its roll cage ASN certificate.
Only the safety cage bearing the extension n° **HES4590714** may be used with this TT Cup car.*

1. GENERAL

101. MANUFACTURER

AUDI

102. MODEL AND TYPE

- a) Model and type **TT CUP**
- b) Typical chassis number **AS8S6TTCUPXXXXXX X = VARIABLE DIGITS**

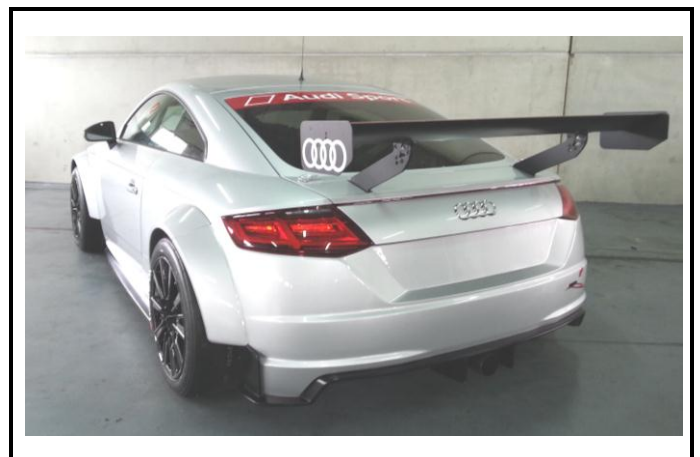
103. CYLINDREE / CYLINDER CAPACITY

Cylinder capacity **1984** cm3
Corrected cylinder capacity **1984 X 1.7 = 3372.8** cm3

A1) Car seen from 3/4 front



A2) Car seen from 3/4 rear



Make **AUDI**

Model **TT cup**

ASN Rollcage Certificate N°

HES4590714

Car Type N°

TT cup

2. DIMENSIONS, WEIGHT

202. OVERALL LENGTH

4260 ± 10 mm

204. WIDTH OF BODYWORK

a) At front axle centreline	1930	mm	+0 -1%
b) At rear axle centreline	1940	mm	+0 -1%

WHEELBASE

2503 ± 15 mm

209. OVERHANG

a) Front	925	± 15 mm
b) Rear	825	± 15 mm

3. ENGINE

Model of origin of the engine **AUDI** FIA homologation form n° **N/A**

FIA homologation form n° of the **basic engine** **N/A**

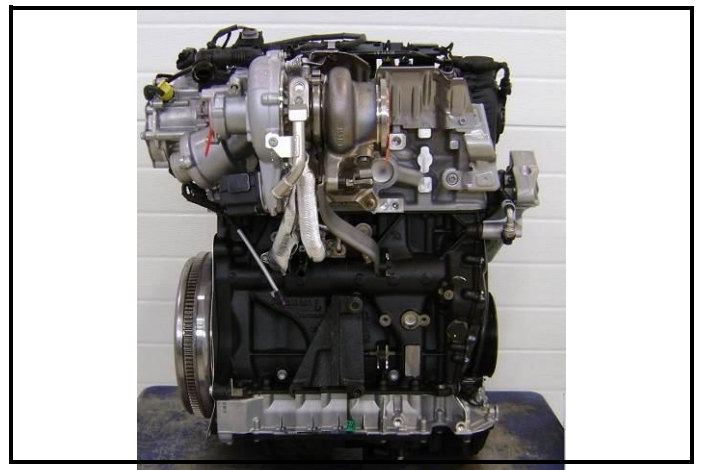
302. NUMBER OF SUPPORTS

1 ENGINE / 2 GEAR BOX

C1-1) Dismounted engine – seen from the side



C1-2) Dismounted engine – seen from the side



Make **AUDI**

Model **TT cup**

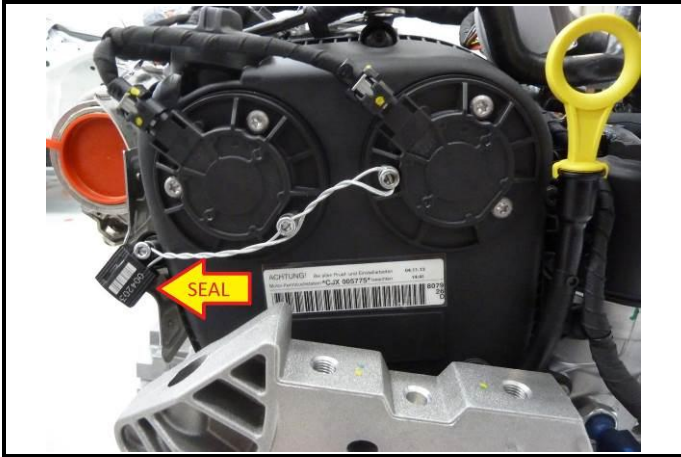
ASN Rollcage Certificate N°

HES4590714

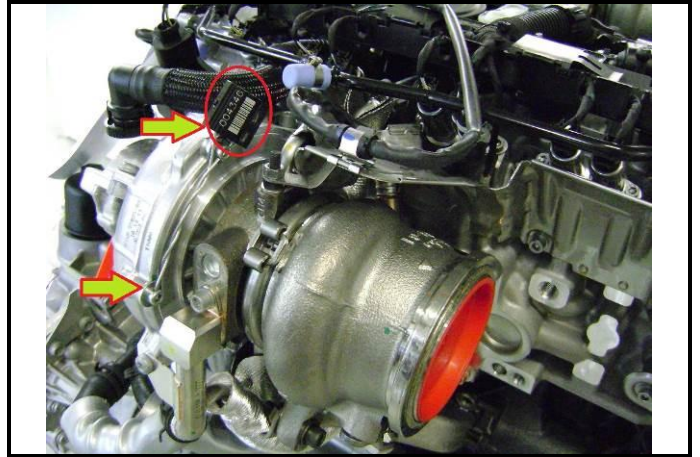
Car Type N°

TT cup

C1-3) Engine distribution seal



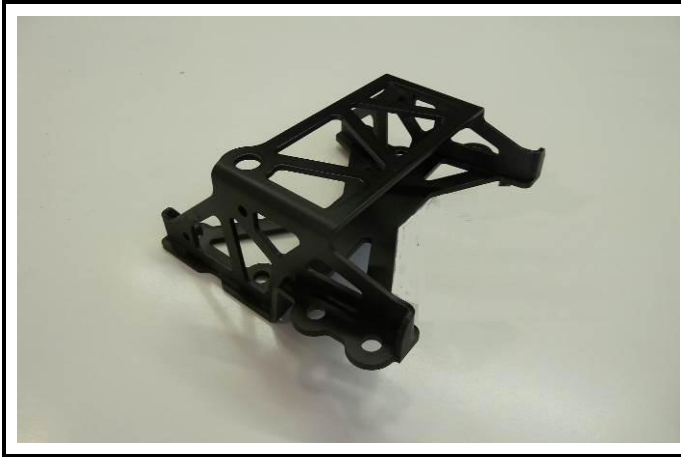
C1-4) Engine turbo seal



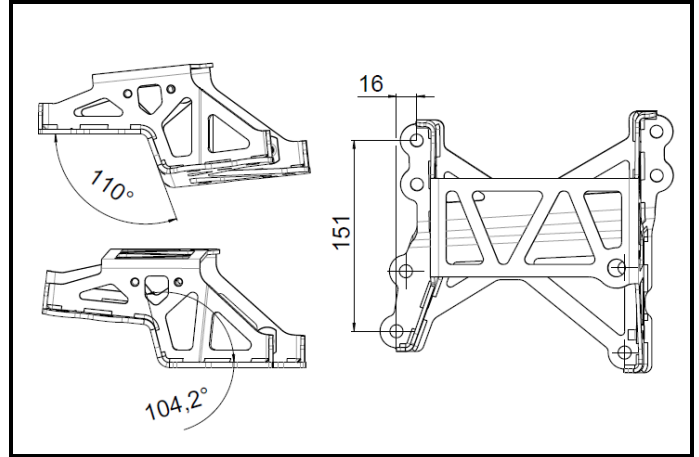
C1-5) Engine in its compartment



C2-1) Engine support 1 dismounted (photo)



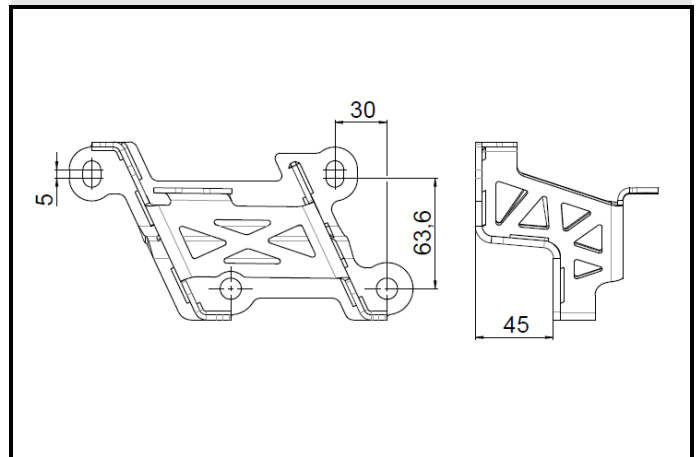
III-B1) Engine support 1



C2-2) Engine support 2 dismounted (photo)



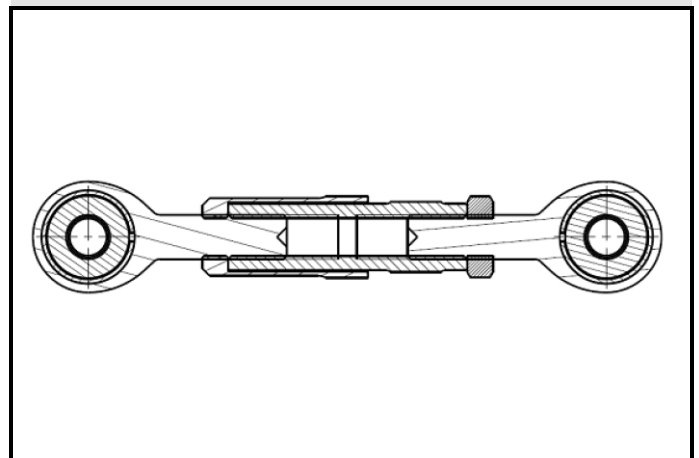
III-B2) Engine support 2



C2-3) Engine support 3 dismounted (photo)



III-B3) Engine support 3



Make **AUDI**

Model **TT cup**

ASN Rollcage Certificate N°

HES4590714

Car Type N°

TT cup

320. FLYWHEEL

a) Material	IRON + RUBBER		
b) Minimum weight	11380	g	<u>With fixings and starter ring</u>
c) External diameter of the starter ring	281.6	± 3 mm	
d) Number of teeth of the starter ring	129		
e) Type	Double mass		

C7-1) Flywheel from ¾ front



C7-2) Flywheel from ¾ rear



324. FUEL FEED BY INJECTION - ELECTRONICS

Direct

a) Make and type **CONTINENTAL**b) Model **SIMOS 18.1**b1) Software **TTC_0003**

Cylinder head

f) Injectors f1) Position



g) List of engine control system sensors

C1 THROTTLE PEDAL POSITION**C9 INTAKE MANIFOLD FLAPS POTENTIOMETER****C2 KNOCKING SENSOR****C10 INTAKE MANIFOLD AIR PRESSURE AND TEMP****C3 FUEL PRESSURE (LP)****C11 FUEL PRESSURE (HP)****C4 HALL SENSOR (2)****C12 BOOST PRESSURE****C5 WATER TEMPERATURE****C13 LAMBDA PROBE****C6 WATER TEMPERATURE (AFTER RADIATOR)****C14 OIL ENGINE PRESSURE (3)****C7 ENGINE SPEED****C15 FUEL LEVEL SENSOR (2)****C8 ENGINE OIL LEVEL AND TEMP****C16**

h) List of engine control system actuators

A1 ELECTRIC THROTTLE**A9 OIL PRESSURE REGULATION VALVE****A2 COILS (4)****A10 WASTE GATE****A3 SPARK PLUGS (4)****A11 COOLING PISTON VALVE****A4 COMBUSTION CHAMBER INJECTORS (4)****A12 CAM ADJUSTMENT ACTUATOR (8)****A5 INTAKE MANIFOLD INJECTORS (4)****A13 INTAKE MANIFOLD THROTTLE VALVE****A6 GEARBOX COOLING VALVE****A14 FUEL PUMP****A7 TURBO CHARGER BYPASS VALVE****A15****A8 VARIABLE DISTRIBUTION VALVES (2)****A16**

Make **AUDI**

Model **TT cup**

ASN Rollcage Certificate N°

HES4590714

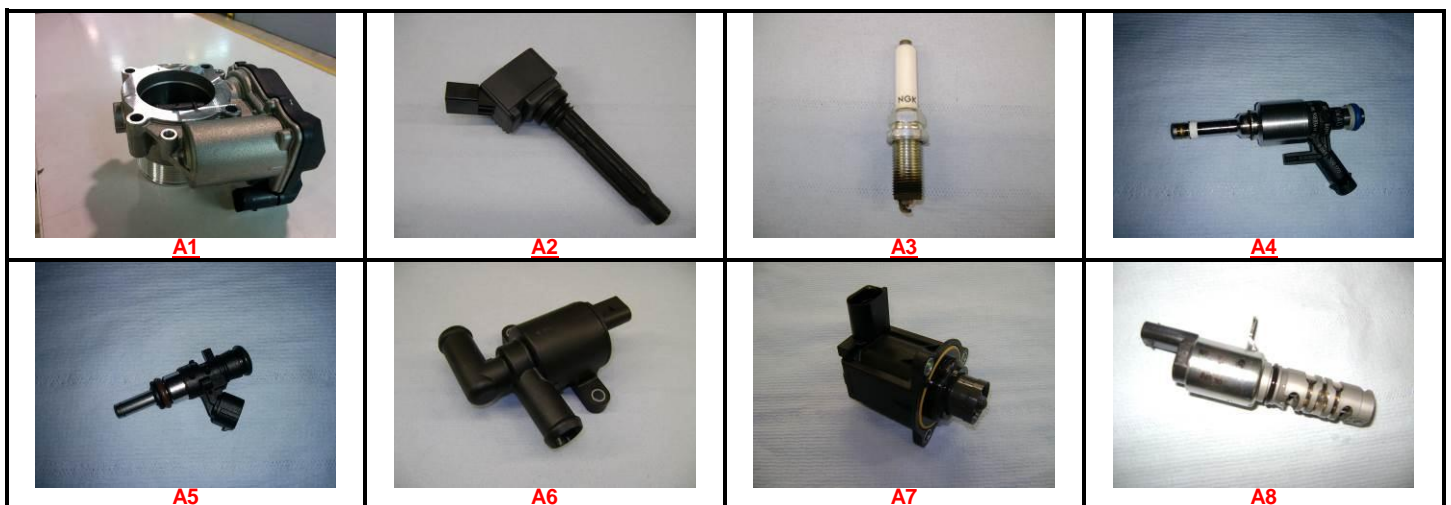
Car Type N°

TT cup

C9-1) Engine control system sensors



C9-2) Engine control system actuators



Make **AUDI**

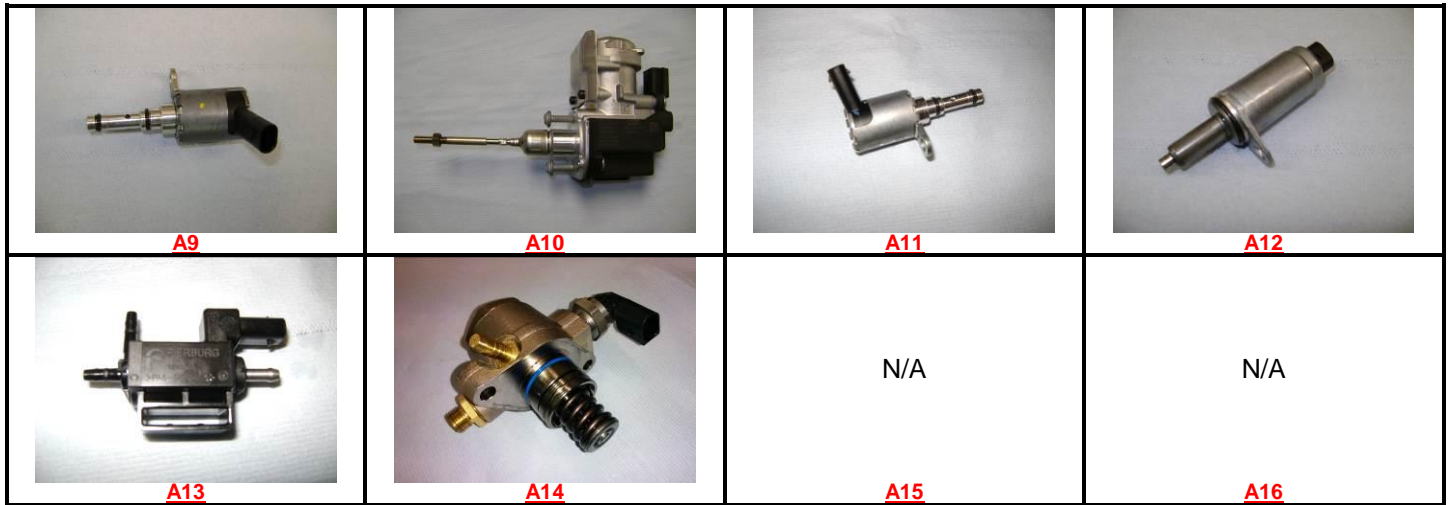
Model **TT cup**

ASN Rollcage Certificate N°

HES4590714

Car Type N°

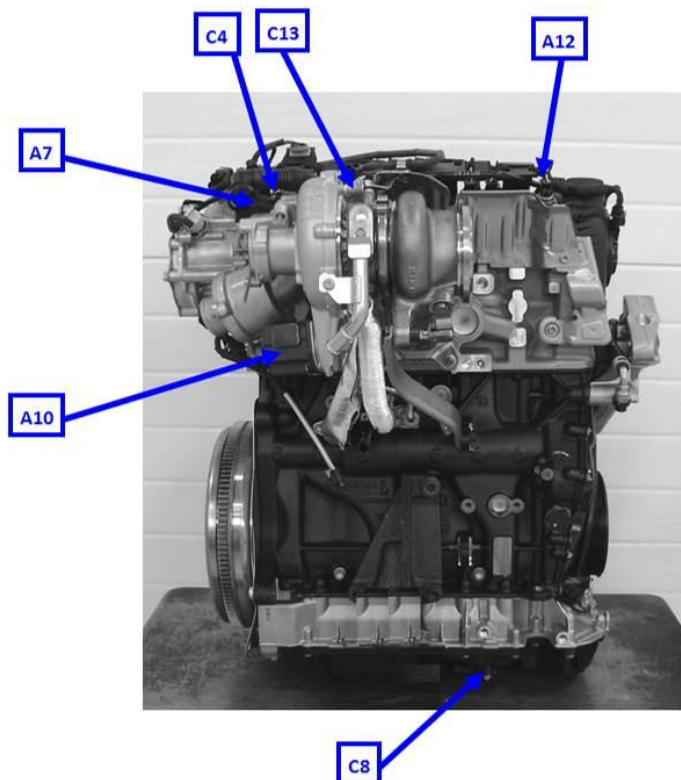
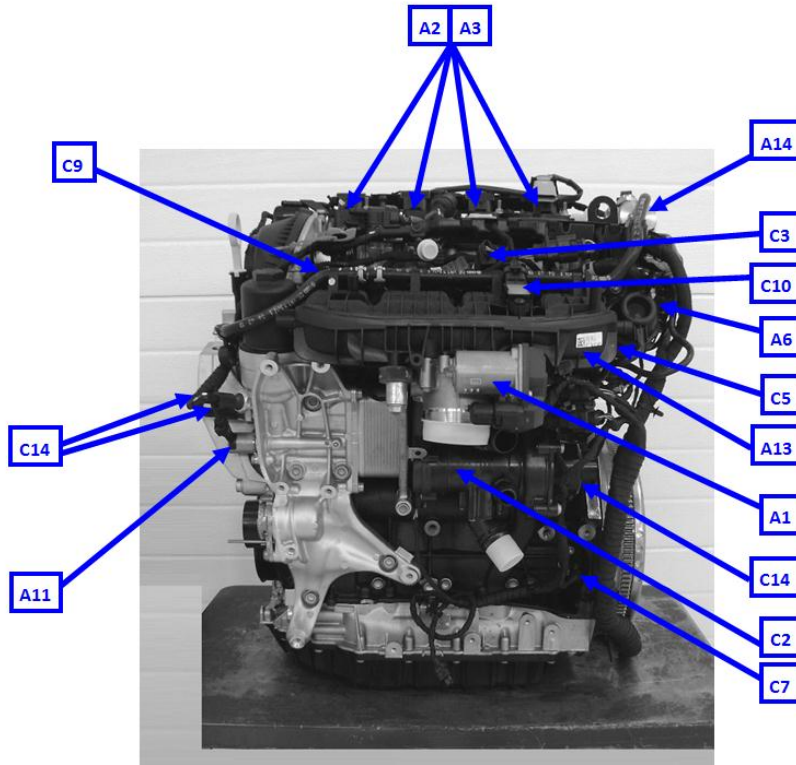
TT cup



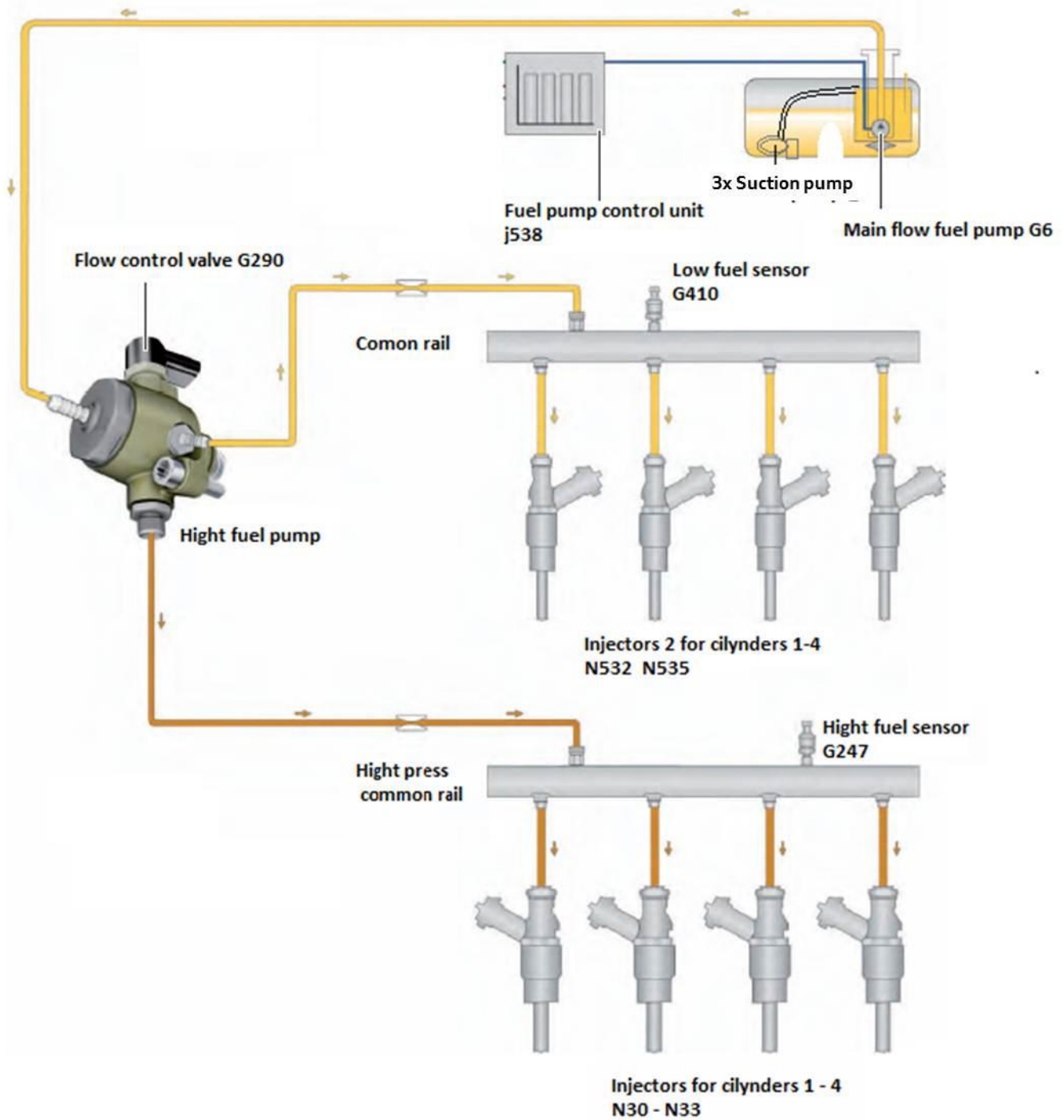
C9-3) Control modules



III-I1) LOCATION OF SENSORS AND ACTUATORS



III-I1I) FUEL INJECTION SCHEME



Make **AUDI**

Model **TT cup**

ASN Rollcage Certificate N°

HES4590714

Car Type N°

TT cup

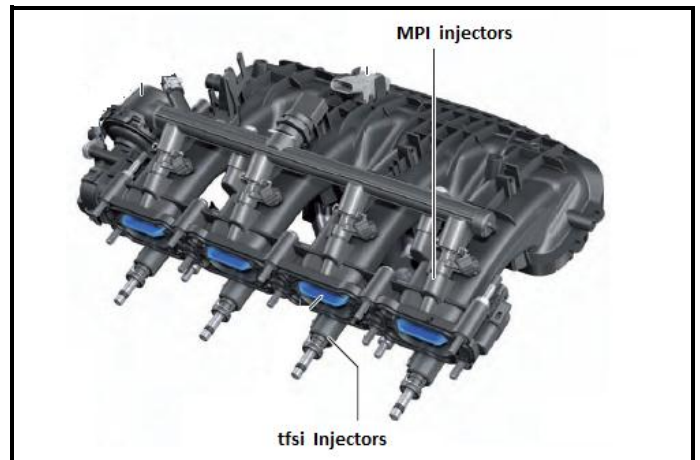
327. INTAKE

- a) Material of manifold **PLASTIC**
- b) Number of manifold elements **4**
- b1) Internal volume of manifold **2.3** ± 0.1 dm³ b2) Minimum weight of manifold **1420** g
- b3) Dimensions of the intake pipe at the throttle valve **57** ± 0.25 mm

C11-1) Intake manifold - dismounted



C11-2) Intake manifold - dismounted



Make **AUDI**

Model **TT cup**

ASN Rollcage Certificate N°

HES4590714

Car Type N°

TT cup

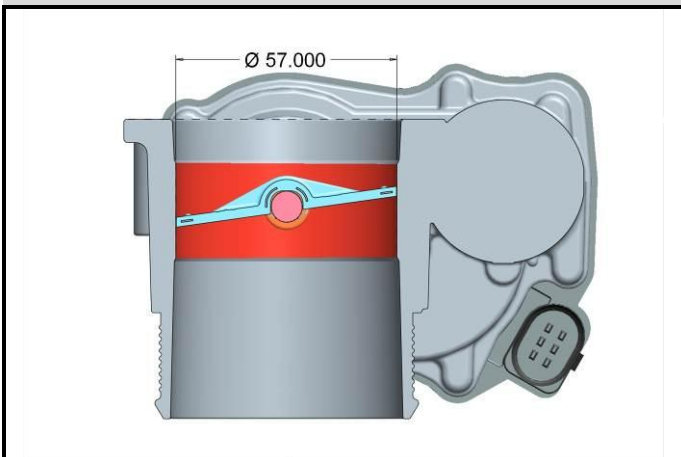
C11-3) Throttle unit - dismounted



C11-4) Throttle unit - dismounted



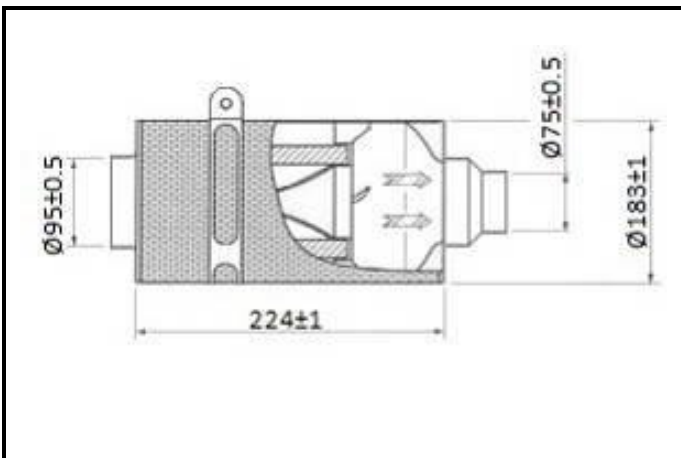
III-K4) Section drawing of the throttle-unit



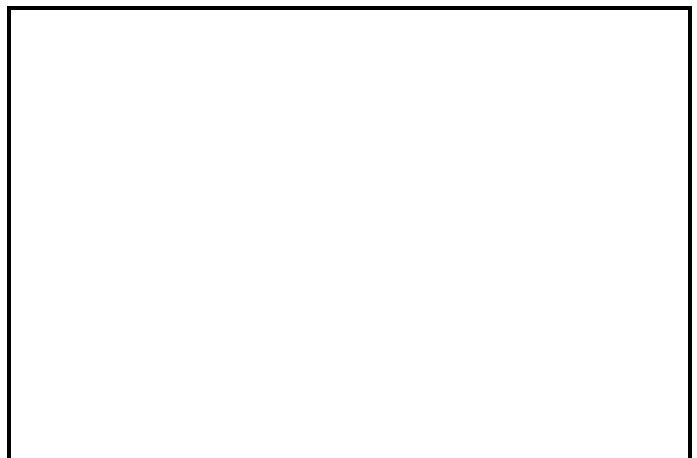
C11-6) Air Filter – dismounted



Air Filter – dimensions



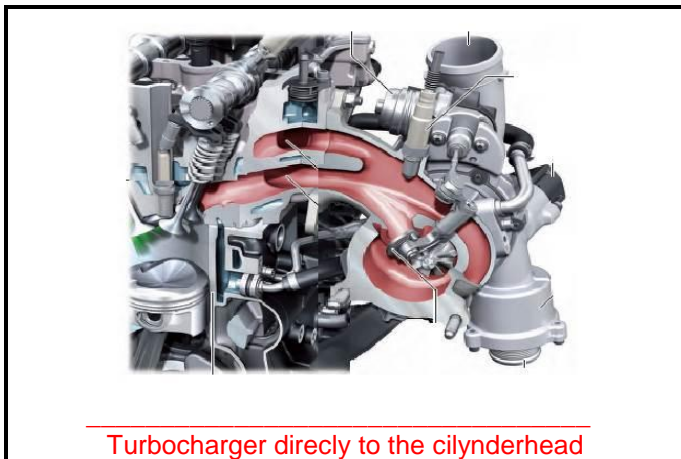
C11-8) FIA pressure measuring tube – in its location



328. EXHAUST

- a) Material of manifold **Cast Aluminium**
- b) Number of manifold elements **Integrated inside the cylinderhead**
- c) Manifold exit **2 exits**

C12-1) Exhaust manifold before turbo (integrated)



C12-2) Exhaust pipe after turbo - dismounted



EXHAUST

Drawings exhaust pipe - tolerances on dimensions : +/-2%

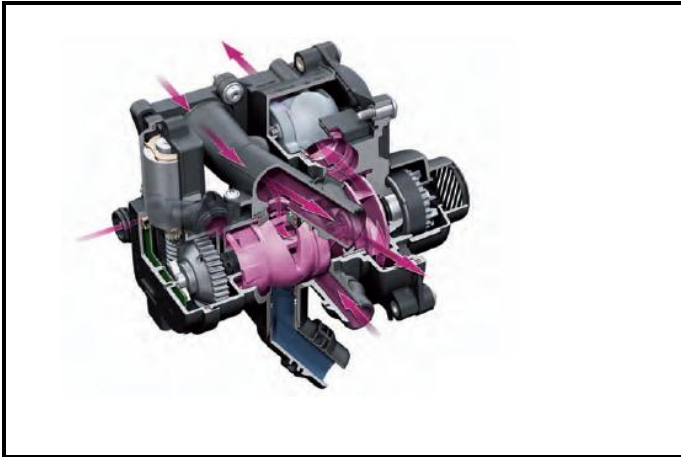
III-L2) Exhaust



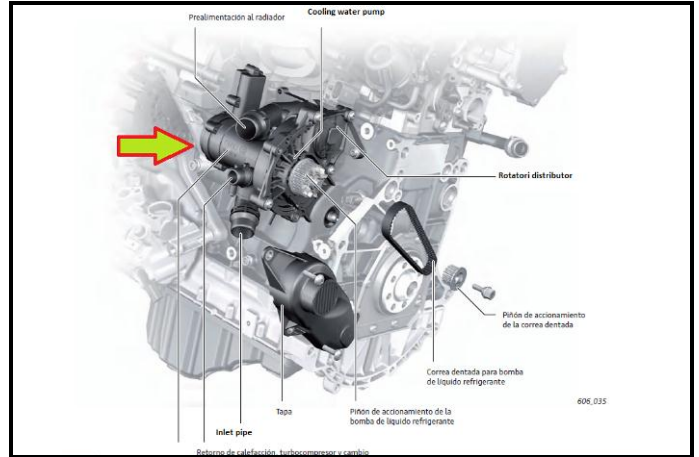
331. COOLING SYSTEM

c) Type and origin of the water pump **Mechanical / Serial pump**

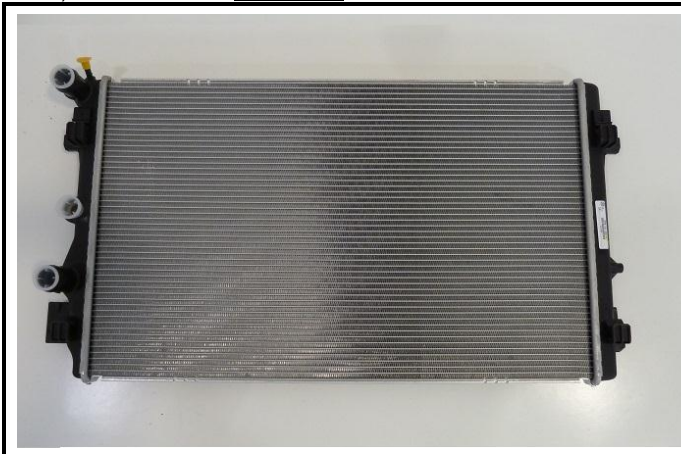
C13-3) Water pump – dismounted



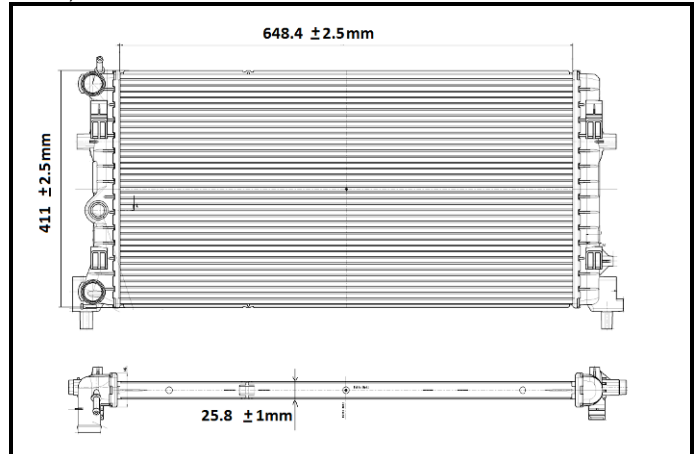
C13-4) Water pump mounted on engine



C13-5) Water radiator – dismounted



C13-6) Water radiator dimensions



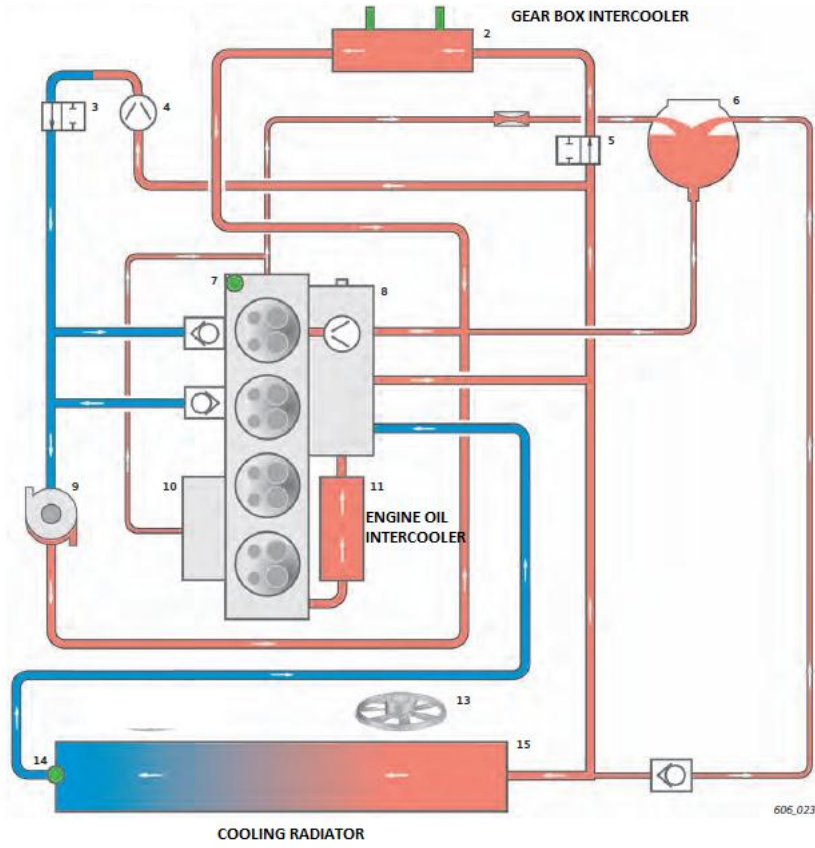
C13-7) Water radiator + fan carcass – dismounted



C13-8) Water radiator dimensions



XXX) COOLING SCHEME



Make **AUDI**

Model **TT cup**

ASN Rollcage Certificate N°

HES4590714

Car Type N°

TT cup

333. LUBRICATION SYSTEM

- a1) Material of oil sump **PLASTIC**
- a3) Type of lubrications **Wet sump**

C14-1) Oil sump – dismounted



C14-2) Oil sump – dismounted



C14-3) Oil catch-tank – dismounted



C14-4) Oil catch-tank mounted in its location



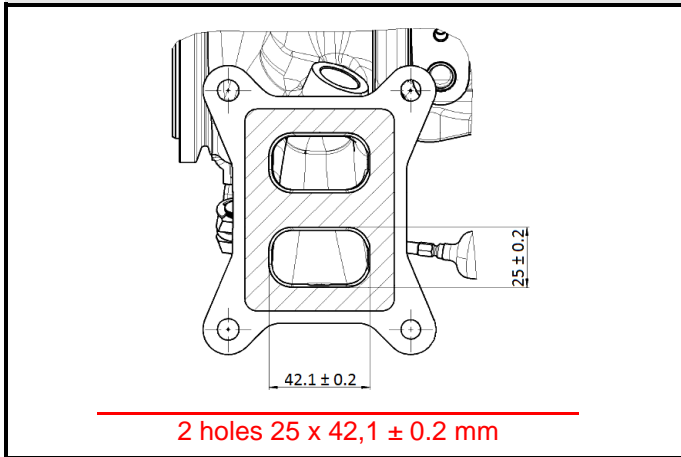
334. TURBOCHARGING

a) Make and type of the turbocharger

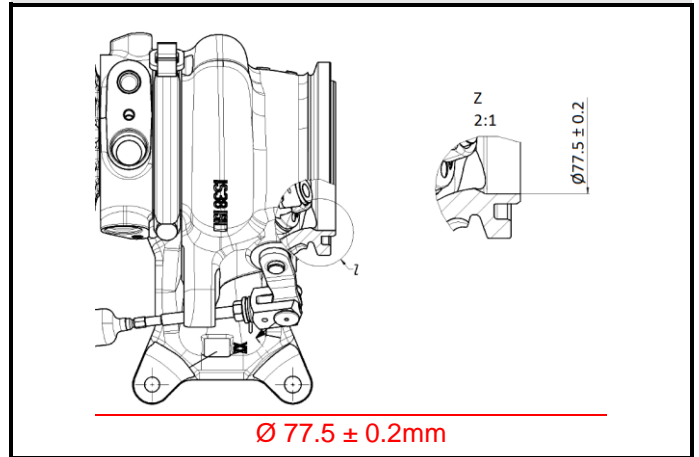
h) Cooling of intake air

	Yes		No
h1)	<input checked="" type="checkbox"/>	Air	<input type="checkbox"/>
h2) System	<input checked="" type="checkbox"/>		
h3) Air inlet diameter		Ø 47	± 1mm
h4) Air outlet diameter		Ø 40	± 1mm

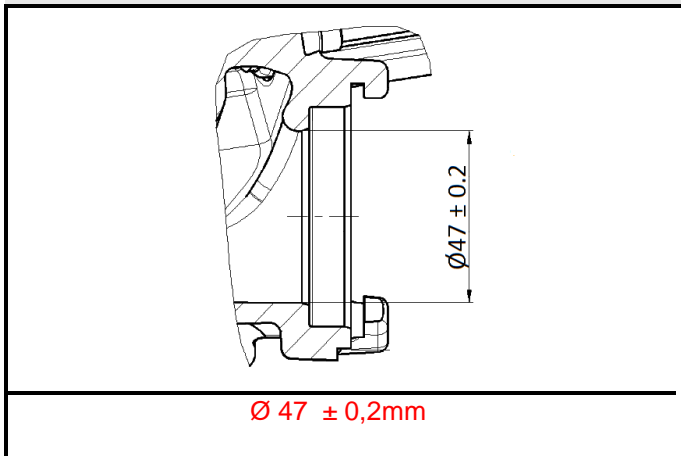
III-01) Exhaust gas inlet to the turbine housing



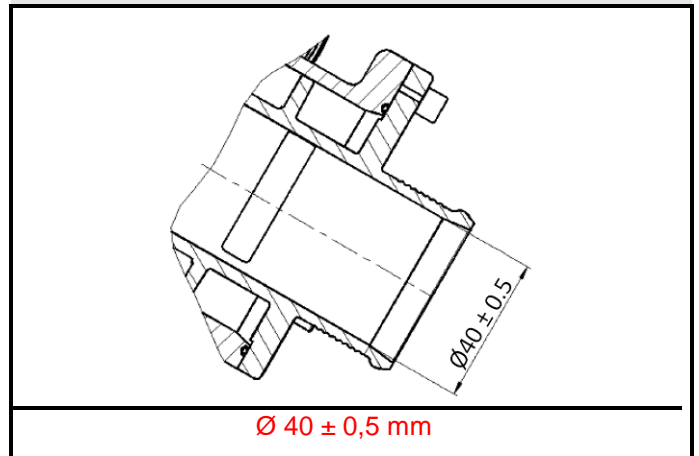
III-02) Exhaust gas outlet from the turbine housing



III-03) Air (gas) inlet to the compressor housing



III-04) Air (gas) outlet from the compressor housing



Make **AUDI**

Model **TT cup**

ASN Rollcage Certificate N°

HES4590714

Car Type N°

TT cup

C15-1) Plan view of complete turbocharger unit



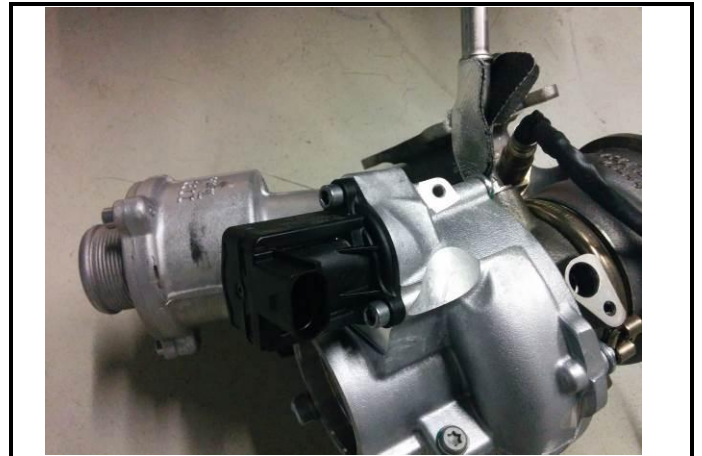
C15-2) Front view of complete turbocharger unit



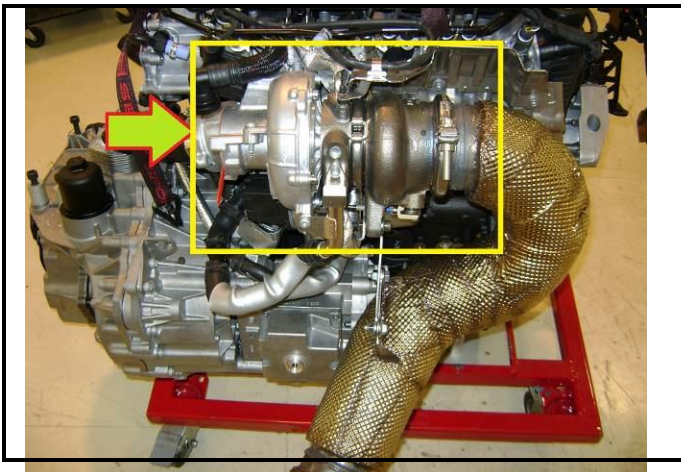
C15-3) Side view of complete turbocharger unit



C15-4) Valve and by-pass installation of turbocharger



C15-5) General view of turbocharger mounted



Make **AUDI**

Model **TT cup**

ASN Rollage Certificate N°

HES4590714

Car Type N°

TT cup

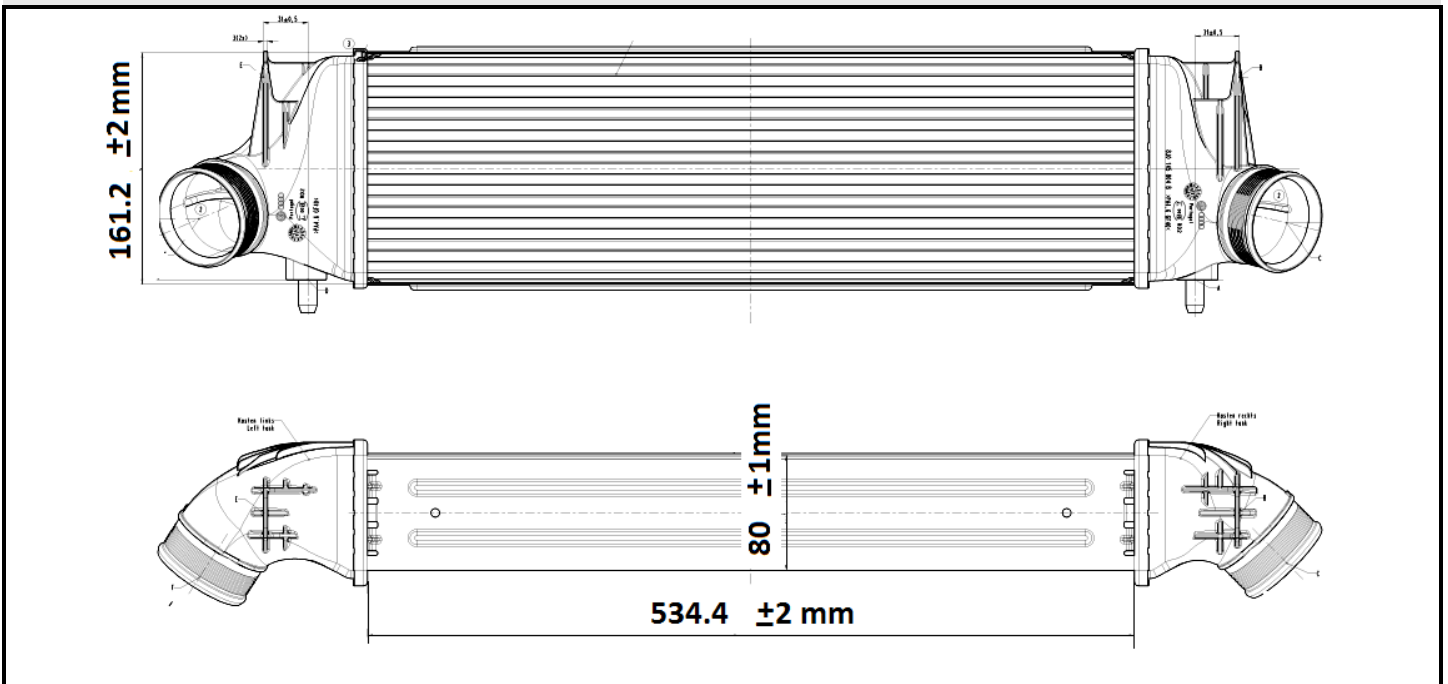
C15-8) Intercooler – dismounted



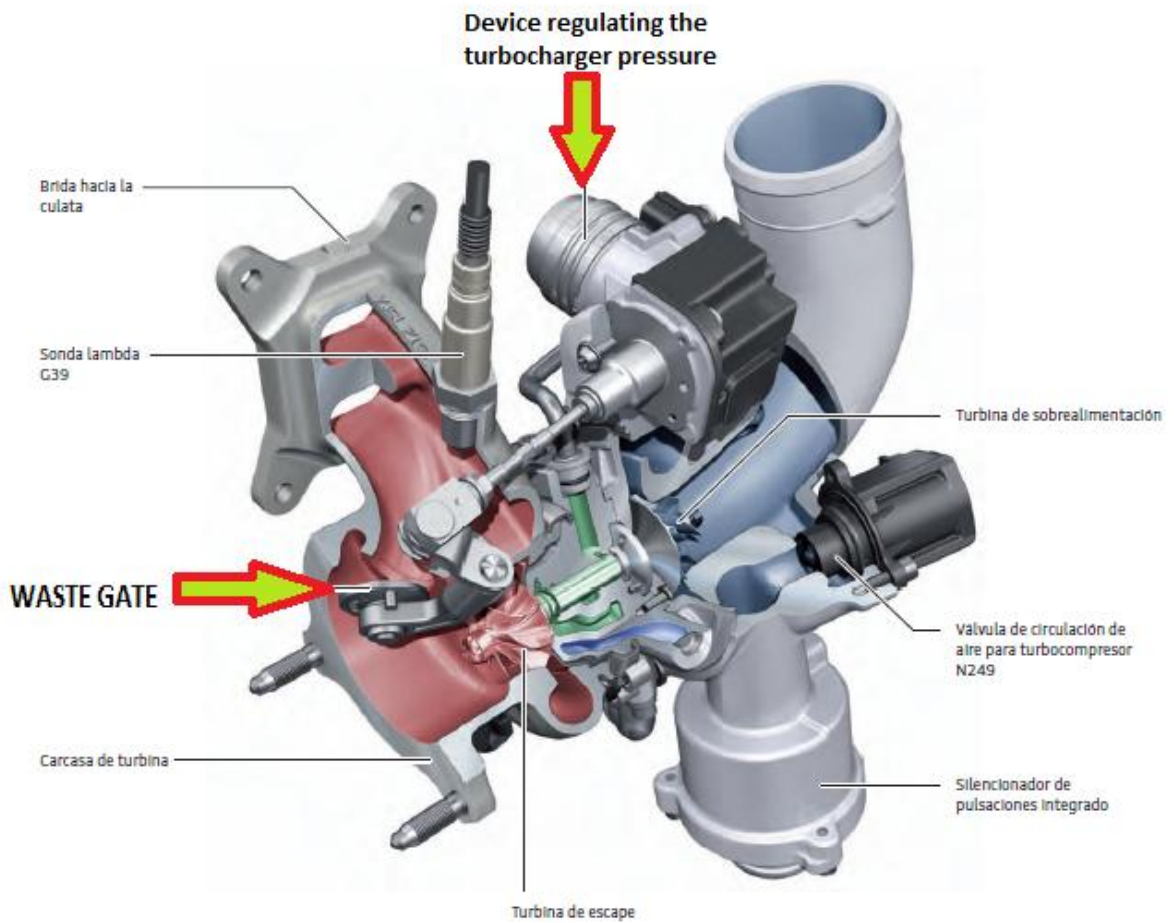
C15-9) Intercooler – mounted in its location



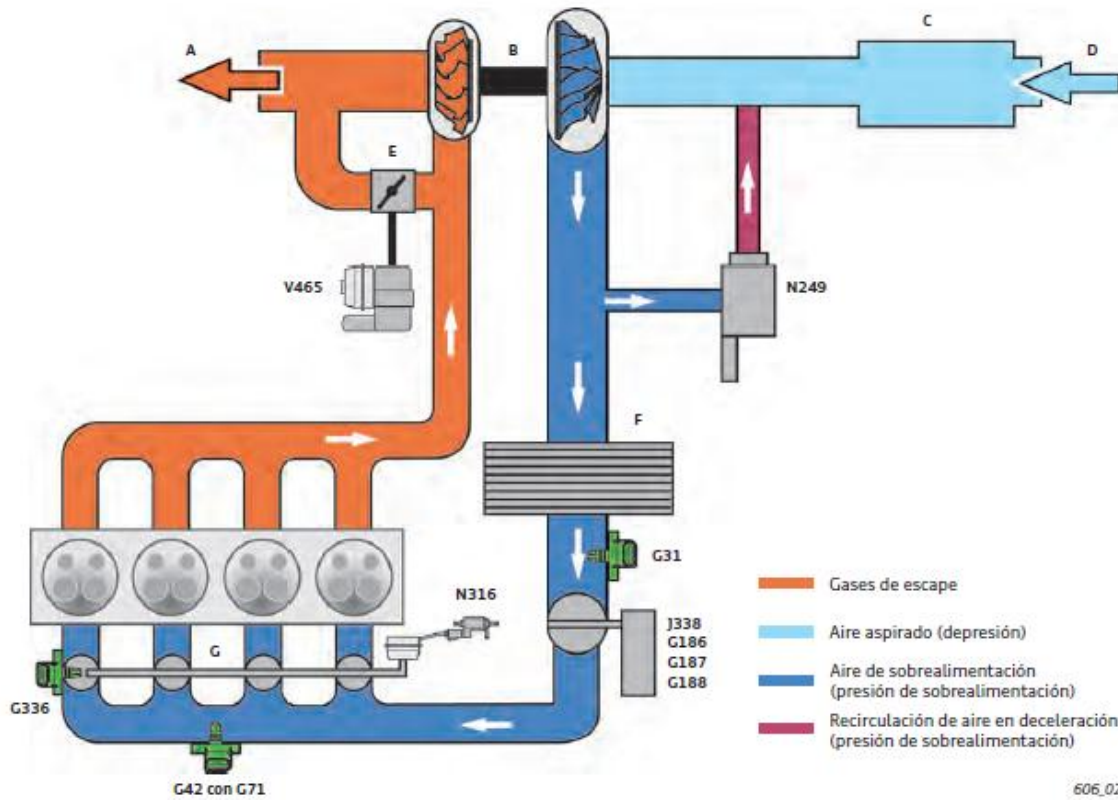
III-05) Drawing of the intercooler with dimensions of core (Width x Height x Thickness)



III-06) DEVICE REGULATING THE TURBOCHARGER PRESSURE



III-07) INTAKE AIR SCHEME



Make **AUDI**

Model **TT cup**

ASN Rollcage Certificate N°

HES4590714

Car Type N°

TT cup

4. FUEL CIRCUIT

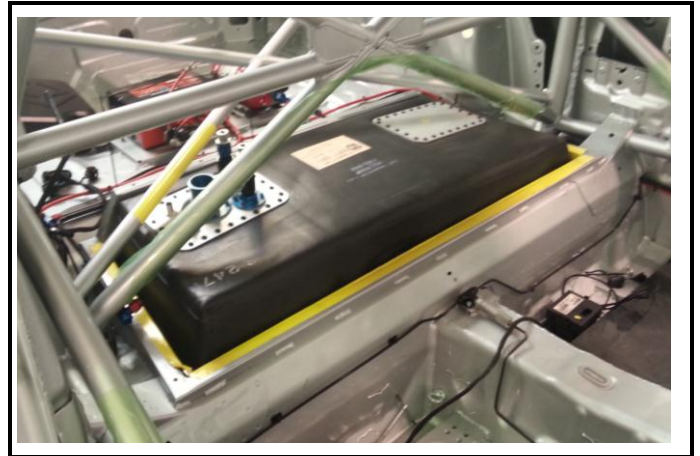
401. FUEL TANK

- | | | | |
|---|---|-----------------------|------------------------------|
| a) Number | 1 | | |
| b) Location | Rear seat (series position) | | |
| c) Material | FIA FT 3 – manufacturer: CONTINENTAL | | |
| d) Total capacity | 110 | ± 10 litres | |
| e) Fuel suction pump (intank) | Partnr. 5971530011A | f) Fuel pump (intank) | Partnr. 420 906 093 C |
| g) Fuel pump highpressure (engine side) | Partnr. xxx xxx xxx | h) Roll over valve | Partnr. 42A 201 811 |

D1-1) Fuel tank dismounted



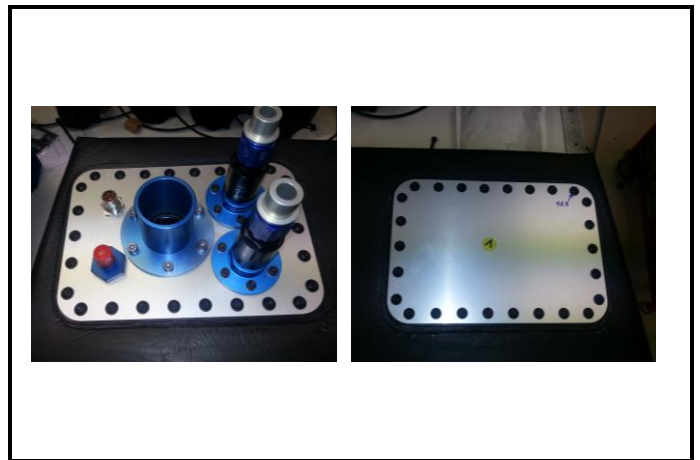
D1-2) Fuel tank in its location



D1-3) Fuel tank in its location – with cover



D1-4) Fuel cell service plates



Make **AUDI**

Model **TT cup**

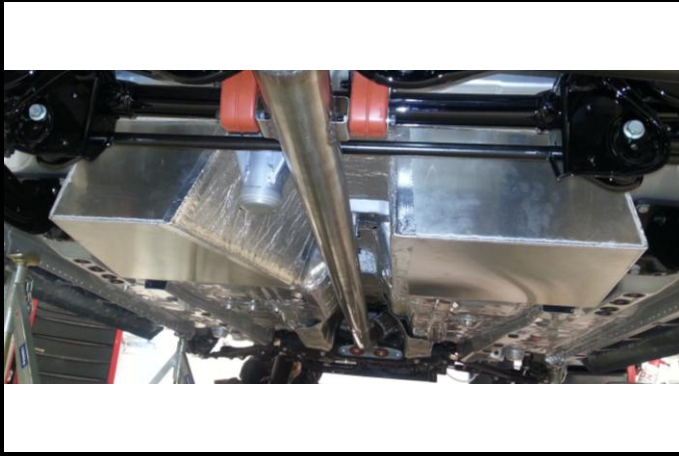
ASN Rollcage Certificate N°

HES4590714

Car Type N°

TT cup

D1-1) Container for fuel cell mounted in bodyshell (seen from floor)



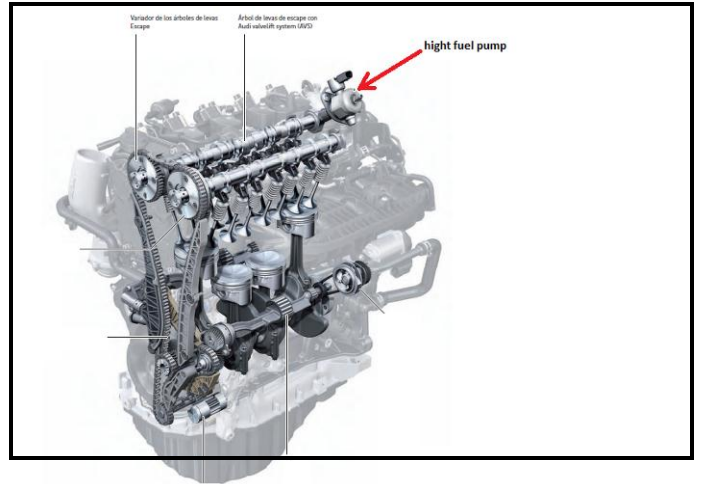
D1-2) Frame and container for fuel tank mounted in bodyshell



D2-1) Fuel pump(s) - dismounted



D2-2) Fuel pump(s) - in its location



Make **AUDI**

Model **TT cup**

ASN Rollage Certificate N°

HES4590714

Car Type N°

TT cup

5. ELECTRICAL EQUIPMENT

501. STEERING WHEEL AND SWITCH BOX

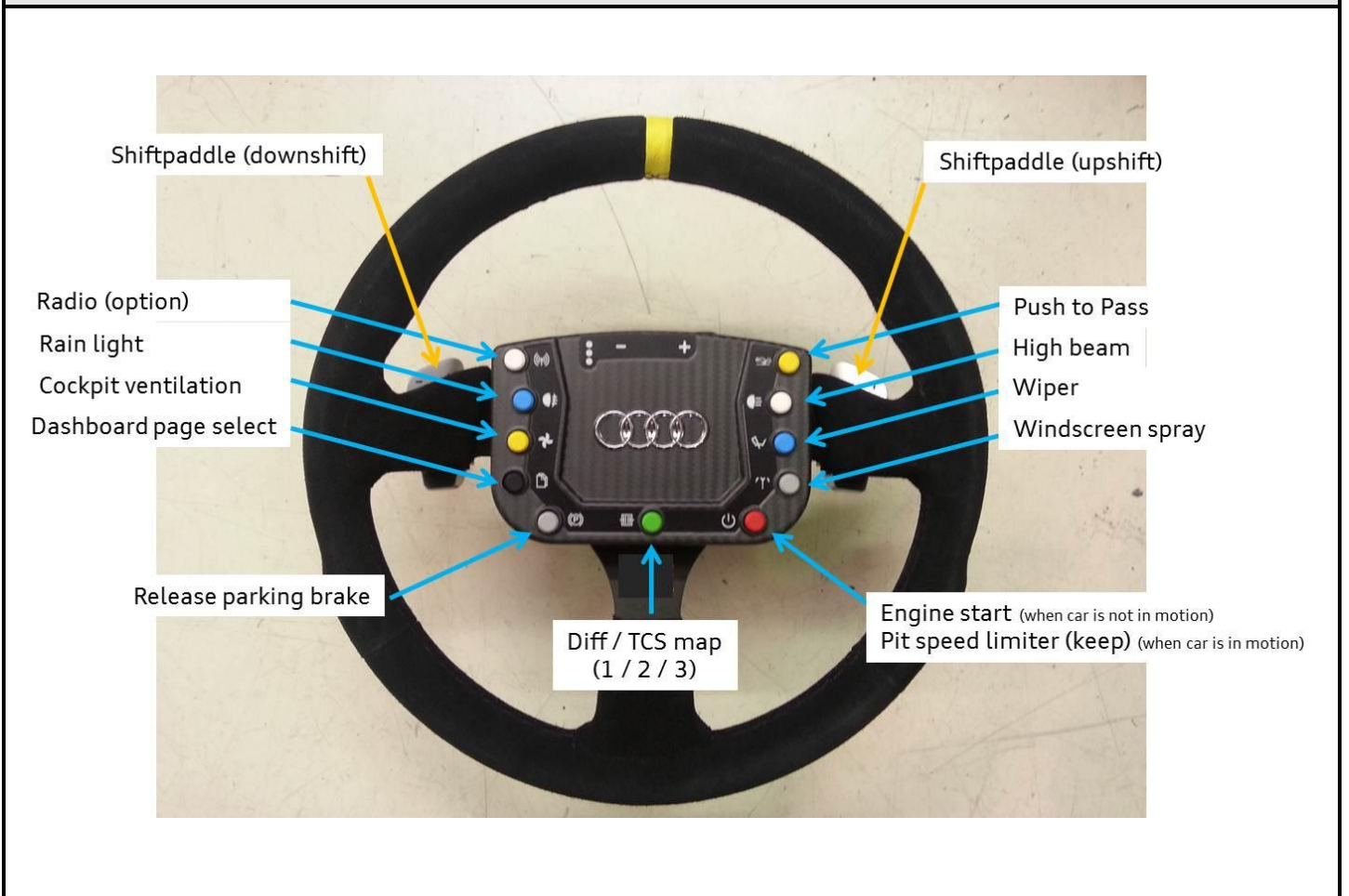
E x-1) Steering wheel - dismounted



E x-2) Steering wheel - dismounted

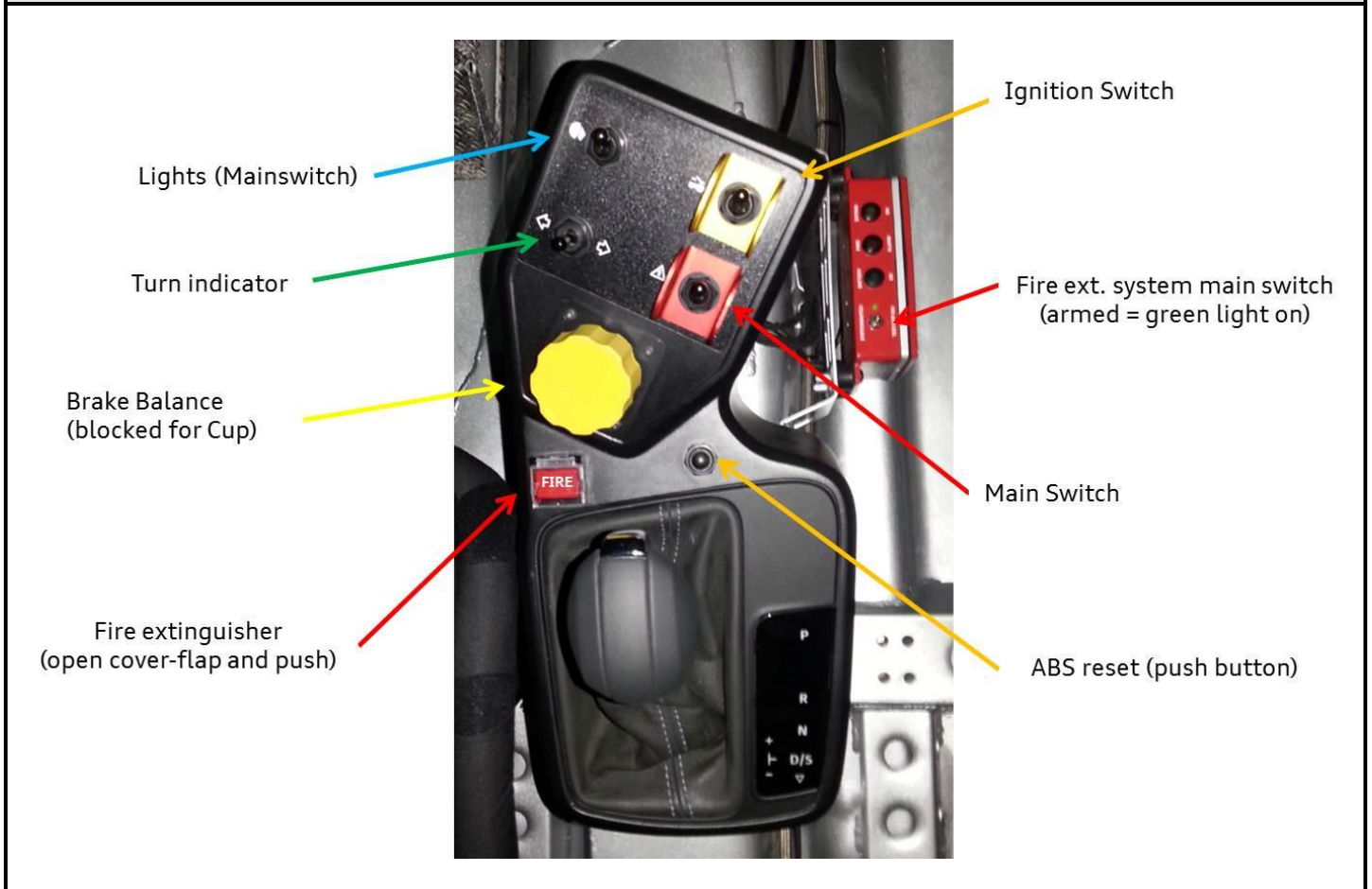


STEERING WHEEL - FUNCTION OF SWITCHES



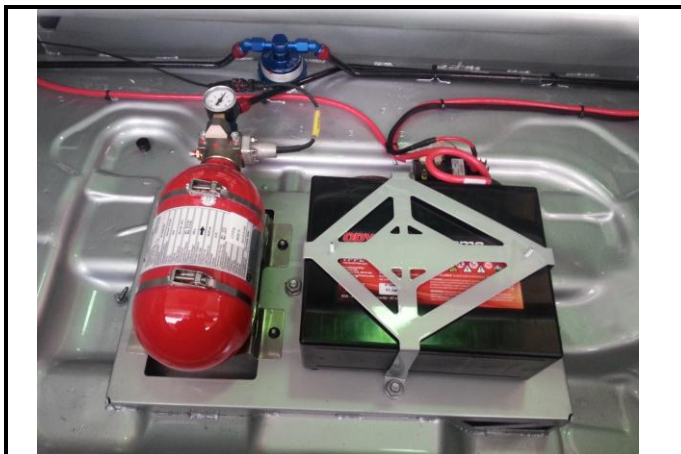
502. CENTER PANEL AND SWITCH BOX

CENTER PANEL - FUNCTION OF SWITCHES



503. BATTERY

E x-1) Battery – cover dismounted



E x-2) Battery – cover mounted



Make **AUDI**

Model **TT cup**

ASN Rollcage Certificate N°

HES4590714

Car Type N°

TT cup

504. FIRE EXTINGUISHER

a) System

KIDDE DEUGRA

Fire extinguisher – in its location (luggage compartement)



Control panel for fire extinguisher – in its location (tunnel)



505. STARTER

a) Position

FRONT OF ENGINE & ABOVE THE GEARBOX

E1-1) Starter – dismounted



E1-2) Starter – mounted in its location



Make **AUDI**

Model **TT cup**

ASN Rollcage Certificate N°

HES4590714

Car Type N°

TT cup

504. DATA LOGGING SYSTEM

1. **System : AIM MXG (dashboard + logger)**
2. **Channels: Published by driver information**
3. **AIM Smarty cam**

LOOM SUMITOMO

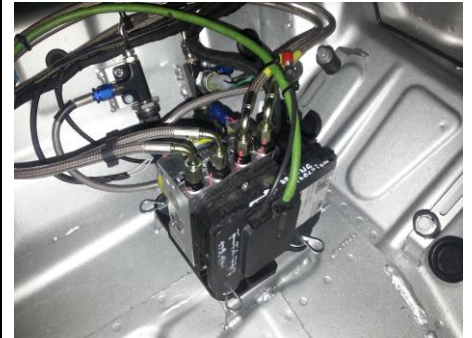
C9-2) Data logging system



DATA LOGGING UNIT IN ITS LOCATION



**BOOST PRESSURE SENSOR UNIT
IN ITS LOCATION**



ABS/ESP MODULE IN ITS LOCATION



DASHBOARD AND LOGGER WIRE LOOM DISMOUNTED

Make **AUDI**

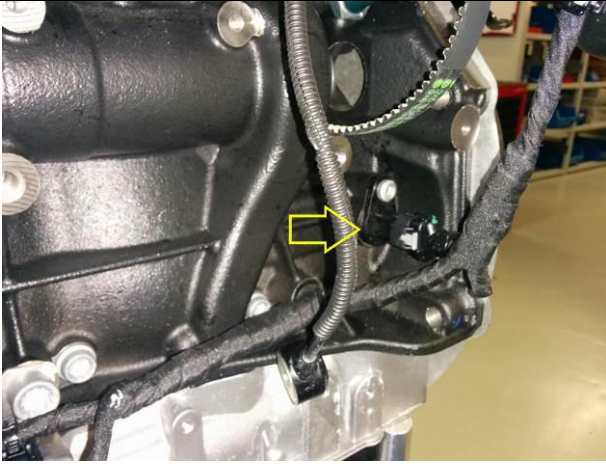
Model **TT cup**

ASN Rollcage Certificate N°

HES4590714

Car Type N°

TT cup



ENGINE SPEED SENSOR IN ITS LOCATION



FRONT WHEEL SPEED SENSOR IN ITS LOCATION



REAR WHEEL SPEED SENSOR IN ITS LOCATION



FUEL PRESSURE SENSOR IN ITS LOCATION

6. POWER TRAIN

603. GEARBOX

d) Type and location of control

Automatic gear box with double axle and double clutch

e) Gear ratios

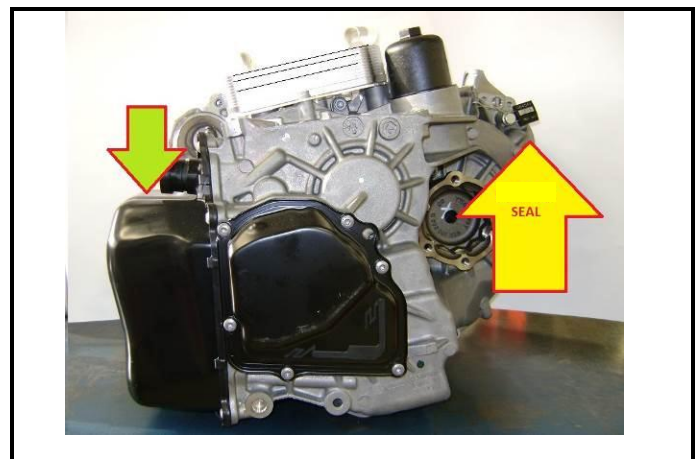
SET OF RATIOS N°1				
	Number of teeth	Ratio	Constant	Synchro
1	13/38	2.923	<input type="checkbox"/>	<input checked="" type="checkbox"/>
2	22/45	2.045	<input type="checkbox"/>	<input checked="" type="checkbox"/>
3	28/41	1.464	<input type="checkbox"/>	<input checked="" type="checkbox"/>
4	38/41	1.079	<input type="checkbox"/>	<input checked="" type="checkbox"/>
5	32/35	1.094	<input type="checkbox"/>	<input checked="" type="checkbox"/>
6	38/35	0.921	<input type="checkbox"/>	<input checked="" type="checkbox"/>
AR/R			<input type="checkbox"/>	<input type="checkbox"/>
Final 1-2-3-4	15/72	4.8		
Final drive 5-6	20/72	3.6		

SET OF RATIOS N°2				
	Number of teeth	Ratio	Constant	Synchro
1			<input type="checkbox"/>	<input type="checkbox"/>
2			<input type="checkbox"/>	<input type="checkbox"/>
3			<input type="checkbox"/>	<input type="checkbox"/>
4			<input type="checkbox"/>	<input type="checkbox"/>
5			<input type="checkbox"/>	<input type="checkbox"/>
6			<input type="checkbox"/>	<input type="checkbox"/>
AR/R			<input type="checkbox"/>	<input type="checkbox"/>
Constant				

c



F2-2) Gearbox casing and clutch bell housing



Make **AUDI**

Model **TT cup**

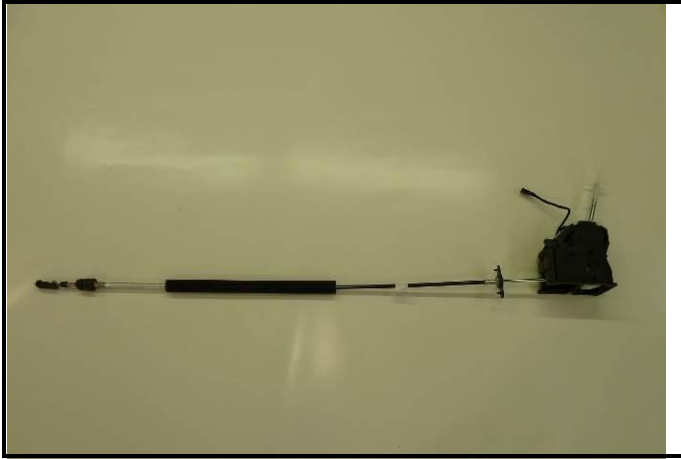
ASN Rollcage Certificate N°

HES4590714

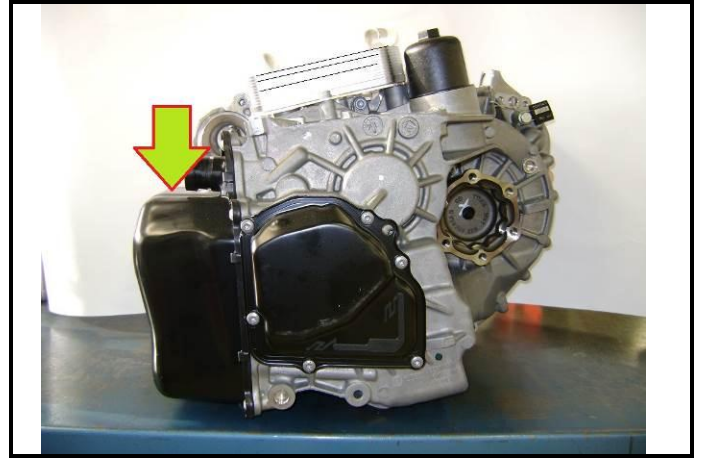
Car Type N°

TT cup

F2-3) Gearbox command - dismounted



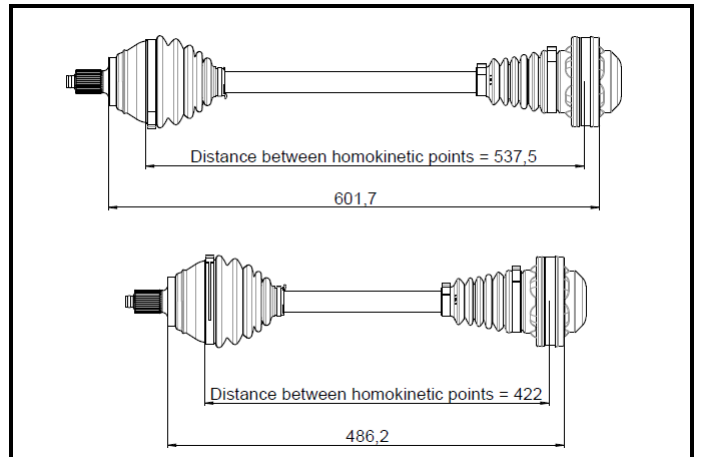
F2-4) Gearbox control - mounted



F2-3) Drive shaft - dismounted



F2-4)



607. ELECTRONIC SLIP DIFFERENTIAL

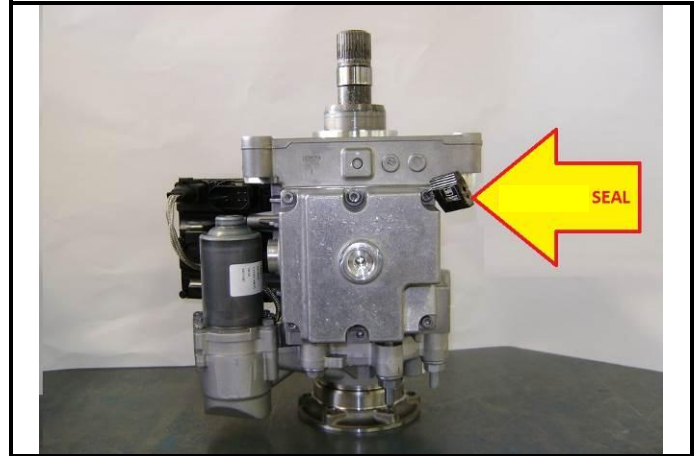
a) Type of final drive

ELECTRONIC COMMANDED (HALDEX)

F4-1) Electronic slip differential underneath view



F4-2) Electronic slip differential rear view and seal



F4-1) Gear box + electronic slip differential -mounted-



F4-2) Final drive casing



Make **AUDI**

Model **TT cup**

ASN Rollcage Certificate N°

HES4590714

Car Type N°

TT cup

7. AXLES AND SUSPENSION

FRONT

G2-1) Subframe for fixing the axle parts - dismounted



G2-2) Subframe for fixing the axle parts - dismounted



G2-3) Subframe – Modification of axle mounting points



G2-4) Subframe – Modification of axle mounting points



G2-5) Subframe – Modification of axle mounting points



G2-6) Subframe – Modification of axle mounting points



Make **AUDI**

Model **TT cup**

ASN Rollcage Certificate N°

HES4590714

Car Type N°

TT cup

G3-1) Bare hub-carrier – dismounted



Material **Aluminium**
Minimum weight **4630** g

G3-2) Bare hub-carrier dimounted – dismounted



G3-3) Steering arm mounting bracket – dismounted



Material **Steel**
Minimum weight **875** g

G3-4) Steering arm mounting bracket – dismounted

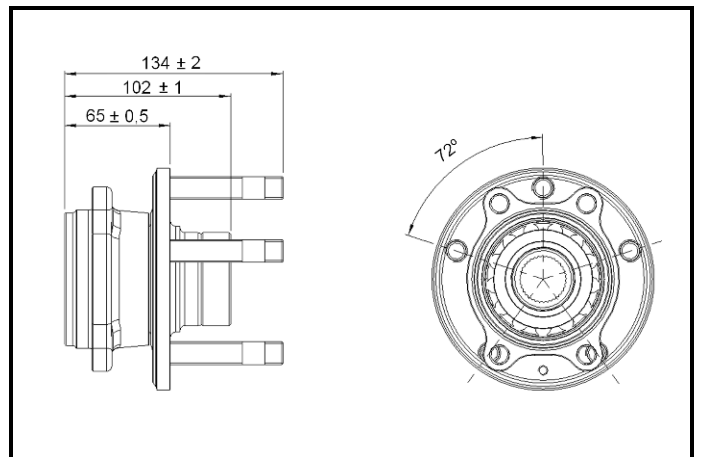


G4-1) Bare Wheel Hub – dismounted



Material **Steel**
Minimum weight **3570** g (with wheel studs)

G4-2) Bare Wheel Hub – dimensions



Make **AUDI**

Model **TT cup**

ASN Rollcage Certificate N°

HES4590714

Car Type N°

TT cup

G5-1) Complete wishbone – dismounted

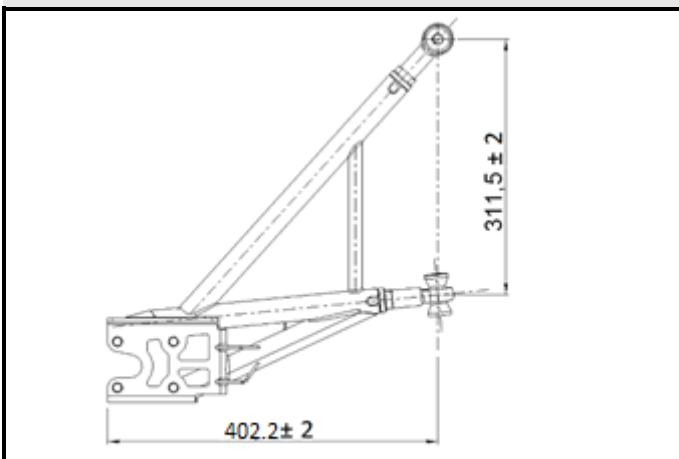


Material **steel**
Minimum weight **2870** g (with spacers)

G5-2) Complete wishbone – dismounted



VII-E1) Positions of the pivot points on the wishbone/arm



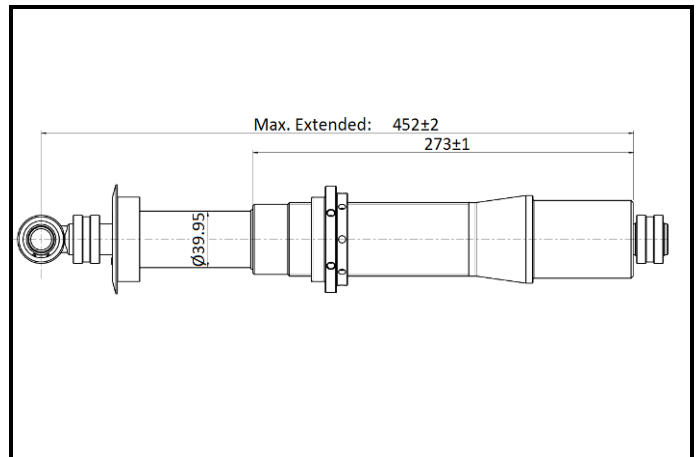
VII-E2) wishbone in its position



G6-2) Front Damper – dismounted



G6-2) Front Damper – dimensions



Make **AUDI**

Model **TT cup**

ASN Rollcage Certificate N°

HES4590714

Car Type N°

TT cup

G6-3) Anti roll bar – dismounted



G6-4) Anti roll bar linkage / adjustment



Make **AUDI**

Model **TT cup**

ASN Rollcage Certificate N°

HES4590714

Car Type N°

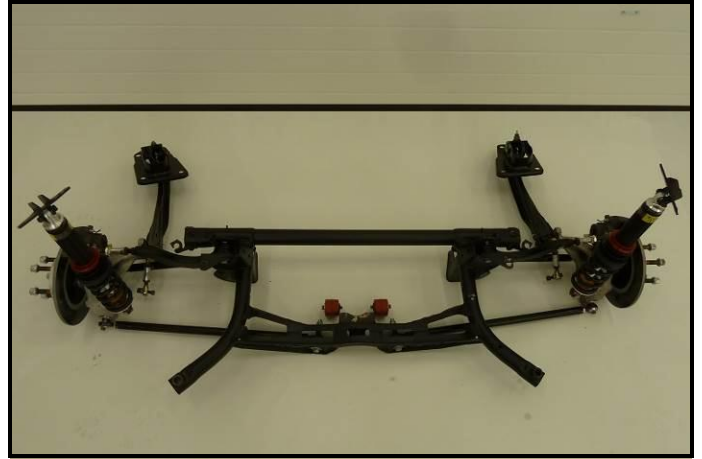
TT cup

REAR

H2-1) Subframe for fixing the axle parts - dismounted



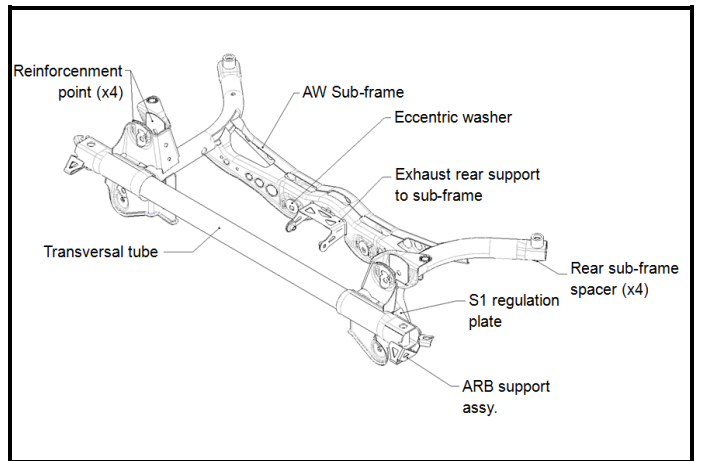
H2-2) Subframe for fixing the axle parts - dismounted



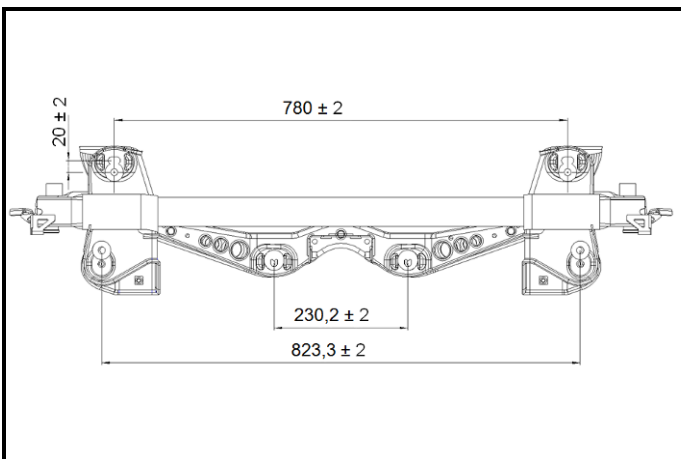
H2-3) Subframe – Modification of axle reinforcements



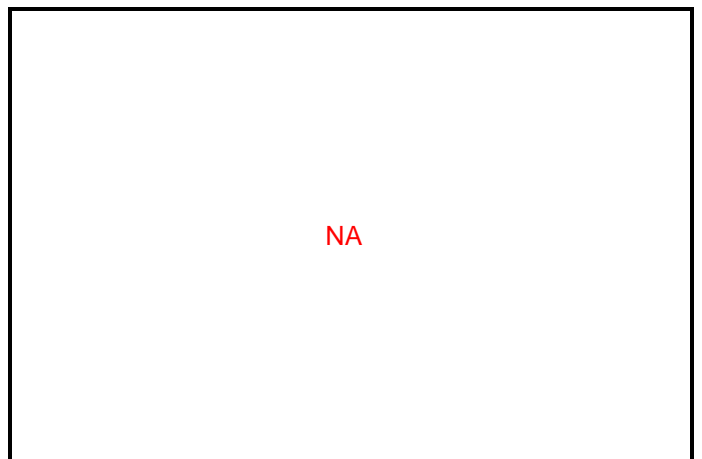
H2-4) Subframe – Modification of axle reinforcements



H2-5) Subframe – Modification of axle pick up points



H2-6) Subframe – Modification of axle mounting points



Make **AUDI**

Model **TT cup**

ASN Rollcage Certificate N°

HES4590714

Car Type N°

TT cup

H3-1) Bare hub-carrier – dismounted



Material **Aluminium**
Minimum weight **3825** g

H3-2) Bare hub-carrier assembly – dismounted

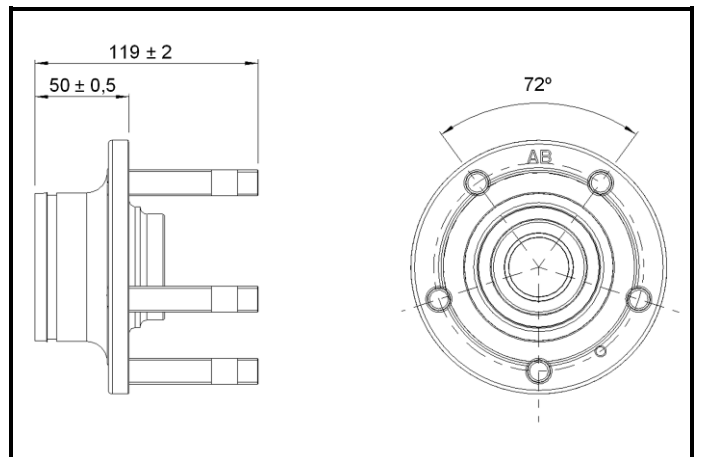


G4-1) Bare Wheel Hub – dismounted



Material **Steel**
Minimum weight **2495** g (with wheel studs)

G4-2) Bare Wheel Hub – dimensions

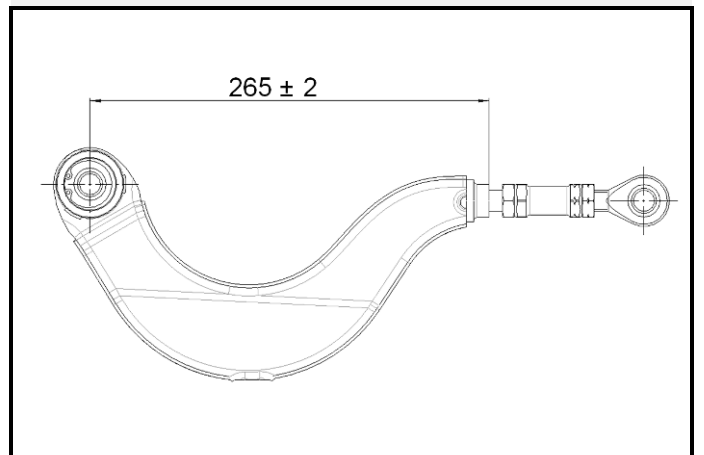


H5-1) Complete **Upper** arm – dismounted



Material **Steel**
Minimum weight **1400** g (with ball joints)

VIII-E1) Positions of the pivot points on the upper arm



Make **AUDI**

Model **TT cup**

ASN Rollcage Certificate N°

HES4590714

Car Type N°

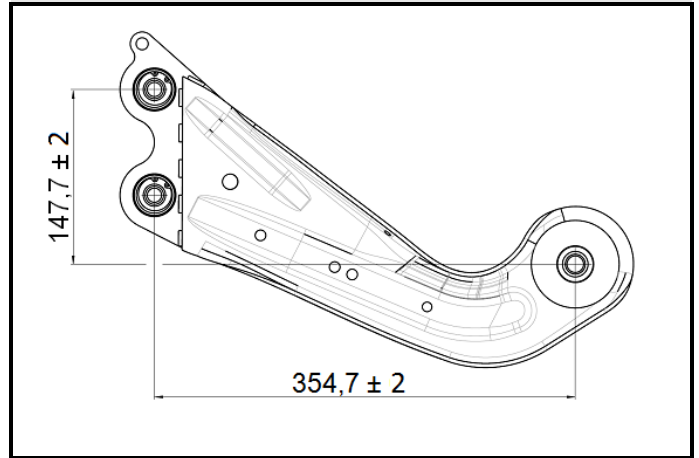
TT cup

H5-2) Complete **Rear** arm – dismounted



Material **Steel**
Minimum weight **2025** g (with ball joints)

VIII-E2) Positions of the pivot points on the rear arm

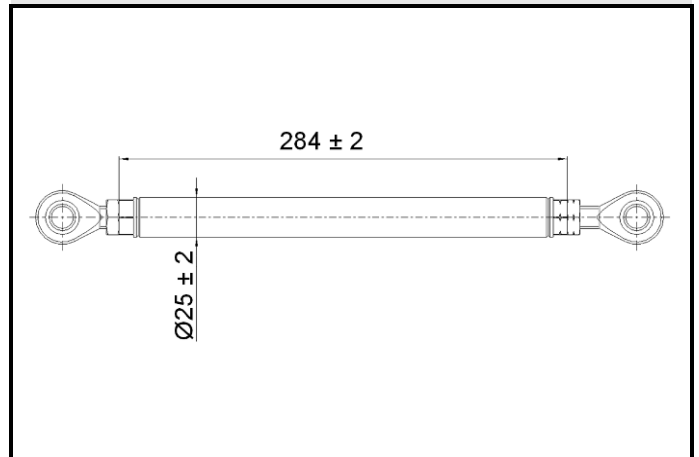


H5-3) Complete **Lower-Front** arm – dismounted



Material **Steel**
Minimum weight **690** g (with ball joints)

VIII-E3) Positions of the pivot points on the lower-front arm

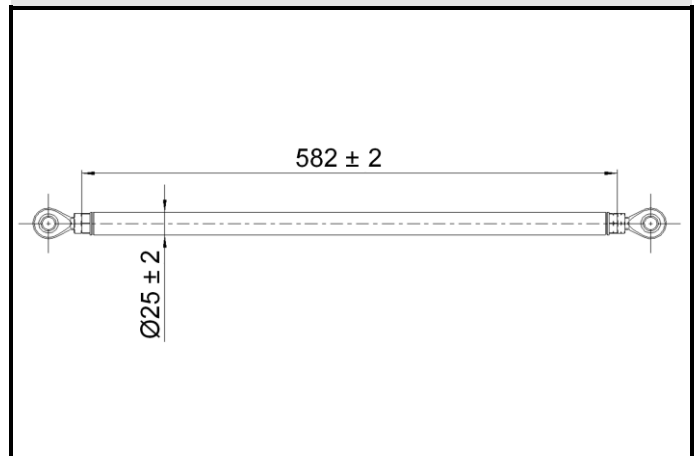


H5-4) Complete **Lower-Rear** arm – dismounted



Material **Steel**
Minimum weight **1030** g (with ball joints)

VIII-E4) Positions of the pivot points on the lower-rear arm



Make **AUDI**

Model **TT cup**

ASN Rollcage Certificate N°

HES4590714

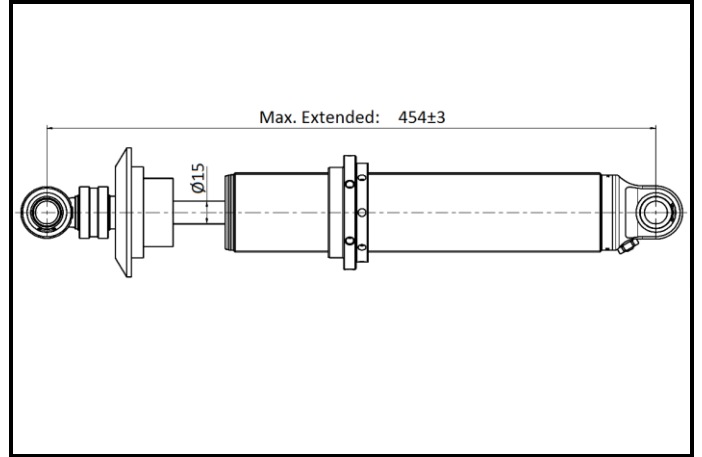
Car Type N°

TT cup

H6-1) Rear Damper – dismounted



H6-2) Rear Damper – dimensions



G6-3) Anti roll bar – dismounted



G6-4) Anti roll bar linkage / adjustment



8. RUNNING GEAR

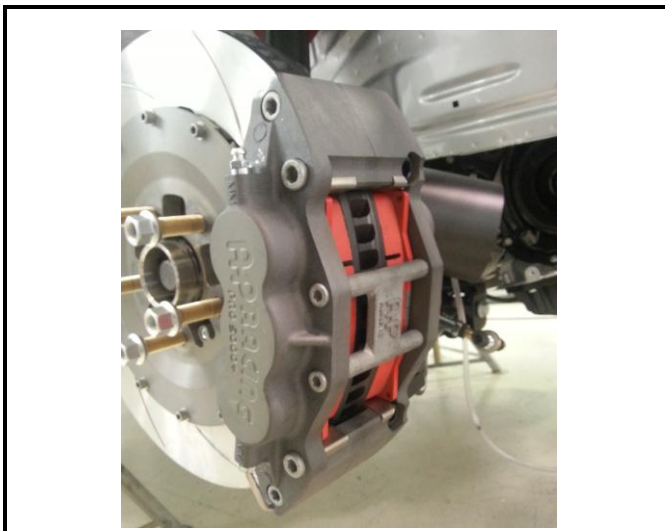
803. BRAKES

ABS yes / -no

- e) Number of cylinders per wheel
- e1) Bore
- g1) Number of pads per wheel
- g2) Number of calipers per wheel
- g3) Caliper material
- g4) Thickness of new disc
- g5) External diameter of disc
- g6) Max pad thickness
- g9) Ventilated discs
Number of venting channels
- g10) Min. weight of new disc (with bell and screws)
- g11) Number of fixation points

FRONT			
TYPE 1		TYPE 2	
	6		
e1)	27 / 31.8 / 38.1 ± 0.1 mm		± 0.1 mm
g1)	2		
g2)	1		
g3)	alu /		/
g4)	32 ± 1 mm		± 1 mm
g5)	380 ± 1.5 mm		± 1.5 mm
g6)	25 ± 0.5 mm		± 1.5 mm
g9)	Yes <input checked="" type="checkbox"/> No <input type="checkbox"/>	Yes <input type="checkbox"/> No <input type="checkbox"/>	
	48		
g10)	8480 g		g
g11)	11		

J4-1) Front brake caliper in its location



J4-2) Front brake caliper dismantled



Make **AUDI**

Model **TT cup**

ASN Rollcage Certificate N°

HES4590714

Car Type N°

TT cup

J5-1) **Front** brake disc dismounted



J5-2) **Front** brake disc dismounted



Make **AUDI**

Model **TT cup**

ASN Rollcage Certificate N°

HES4590714

Car Type N°

TT cup

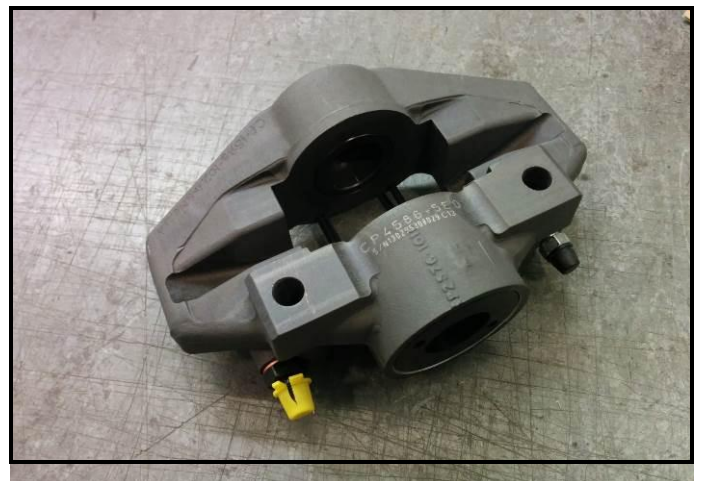
803. BRAKES

		REAR	
		TYPE 1	TYPE 2
e) Number of cylinders per wheel		1	
e1) Bore		36 ± 0.1 mm	± 0.1 mm
g1) Number of pads per wheel		2	
g2) Number of calipers per wheel		1	
g3) Caliper material		alu / iron	/
g4) Thickness of new disc		10 ±1 mm	±1 mm
g4b) Minimum thickness of disc (maximum wear)		8 mm	mm
g5) External diameter of disc		272 ±1.5 mm	±1.5 mm
g6) Max pad thickness		14.3 ±0.5 mm	±1.5 mm
g9) Ventilated discs		Yes <input type="checkbox"/> No <input checked="" type="checkbox"/>	Yes <input type="checkbox"/> No <input type="checkbox"/>
Number of venting channels			
g10) Min. weight of new disc (with bell and screws)		3800 g	g

K4-1) Rear brake caliper **type 1**



K4-2) Rear brake caliper **type 1**



Make **AUDI**

Model **TT cup**

ASN Rollcage Certificate N°

HES4590714

Car Type N°

TT cup

K5-1) Rear brake disc type 1



K5-2) Rear brake disc type 1



804. BRAKEMASTERCYLINDERS

BRAKE BIAS yes / no

e) Type

e1) Bore

		FRONT	REAR
		17,8 ww. 19,1 ± 0.1 mm	22,2 ± 0.1 mm

Mastercylinders in its location



Make **AUDI**

Model **TT cup**

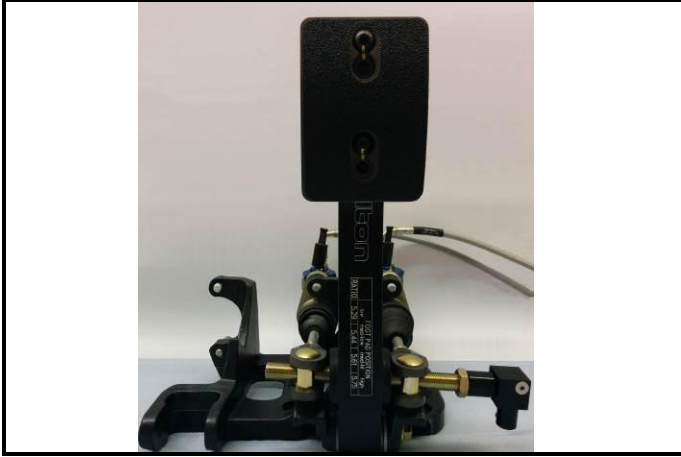
ASN Rollcage Certificate N°

HES4590714

Car Type N°

TT cup

L2-1) Pedal box - dismounted seen from front



L2-2) Pedal box - dismounted seen from side



805. BRAKERESERVOIR

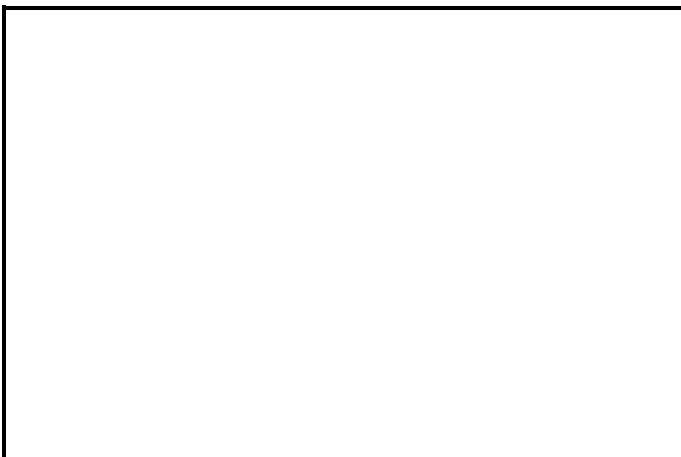
Reservoir

e) Type

e1) Volume

FRONT	REAR
$\pm 5 \text{ mL}$	$\pm 5 \text{ mL}$

Reservoir dismounted



Reservoir in its location



Make **AUDI**

Model **TT cup**

ASN Rollcage Certificate N°

HES4590714

Car Type N°

TT cup

806. ABS

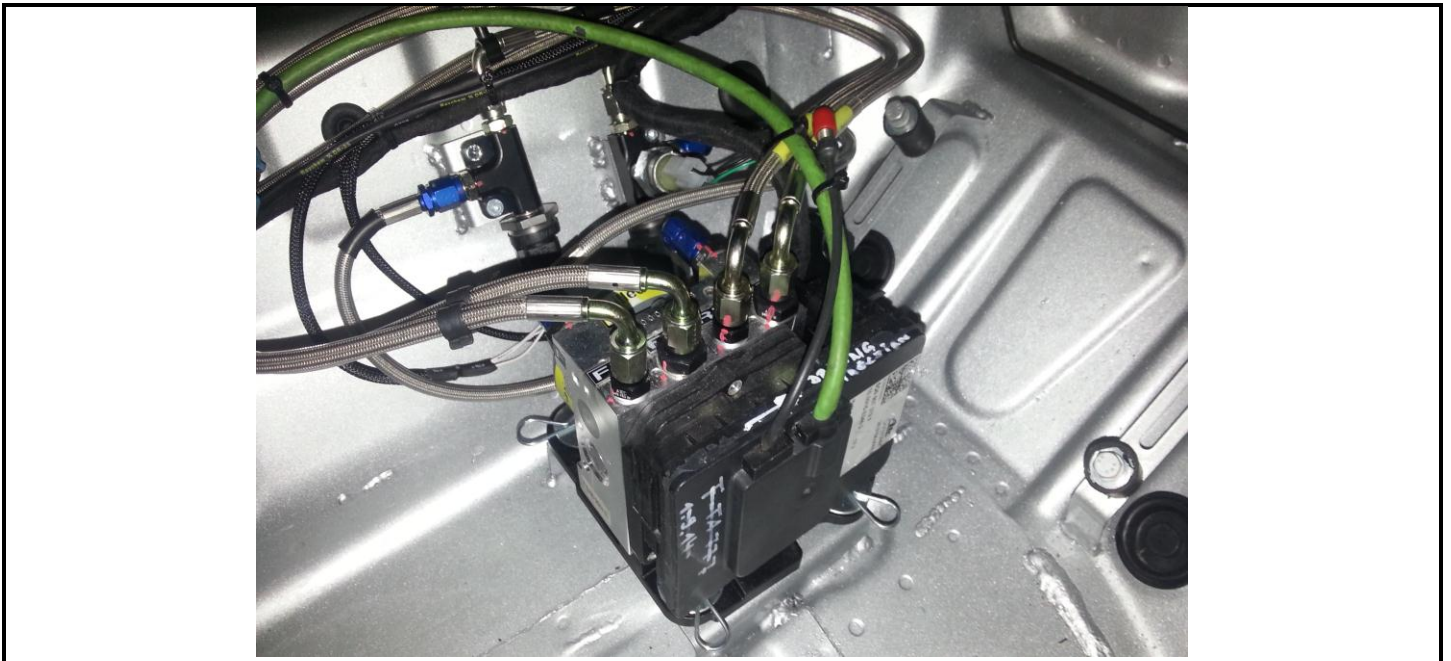
Yes / No

e) 2 circuit system (black and white)

e1) Software

CONTINENTAL MK 100	
Front	rear
xxx	

ABS unit – in its location



Make **AUDI**

Model **TT cup**

ASN Rollcage Certificate N°

HES4590714

Car Type N°

TT cup

806. WHEELS RIMS

e) Material

e1) Size / offset

e2) min. Weight

FRONT		REAR	
ALU CASTED		ALU CASTED	
10 x 18	ET 36	10 x 18	ET 36
11.000 g		11.000 g	

Wheel front



Wheel rear



807. WHEELS TYRES

e) Manufacturer

e1) Size

SLICK	RAIN
HANKOOK	HANKOOK
260/660-18	260/660-18

Make **AUDI**

Model **TT cup**

ASN Rollcage Certificate N°

HES4590714

Car Type N°

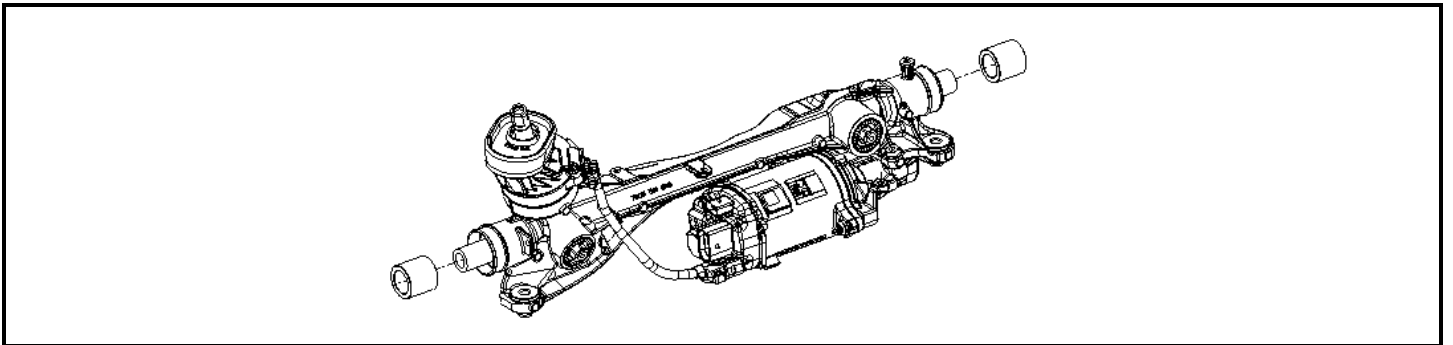
TT cup

804. STEERING

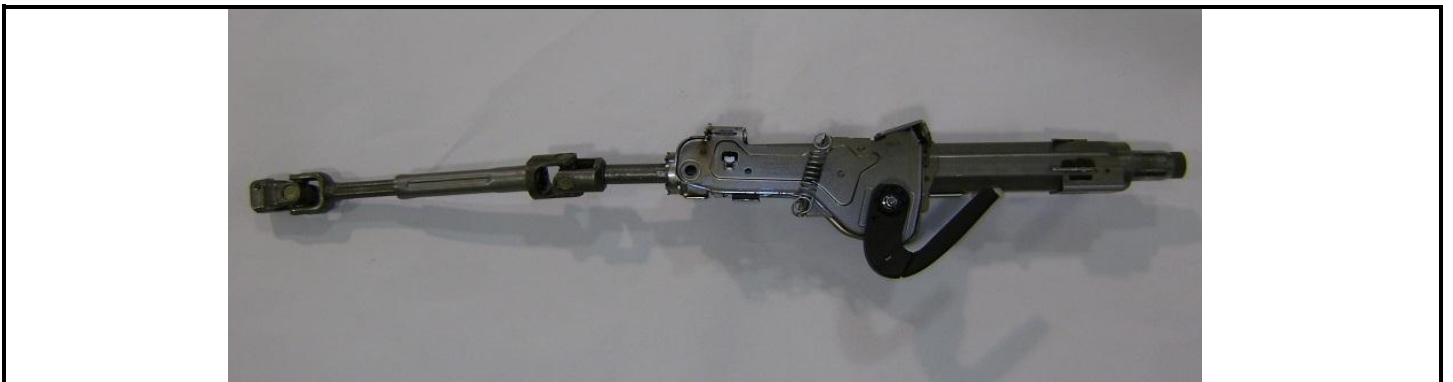
J9-1) Steering rack - dismounted



J9-2) Steering rack - sketch



J11-1) Steering column - dismounted



Make **AUDI**

Model **TT cup**

ASN Rollcage Certificate N°

HES4590714

Car Type N°

TT cup

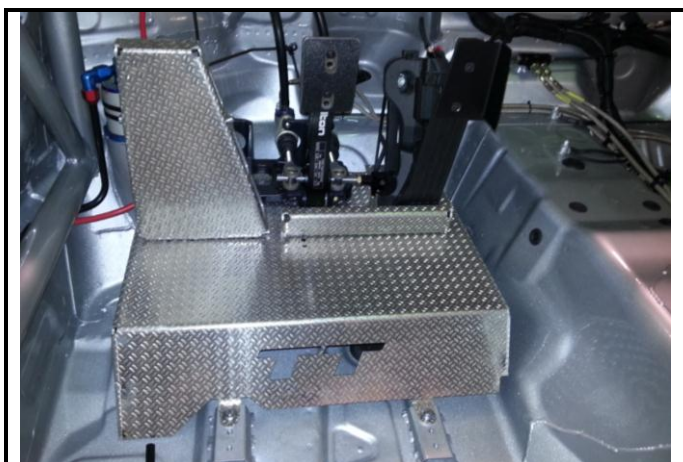
9. BODYWORK - CHASSIS (BODYSHELL)

901. INTERIOR

L1-1) Dashboard - mounted



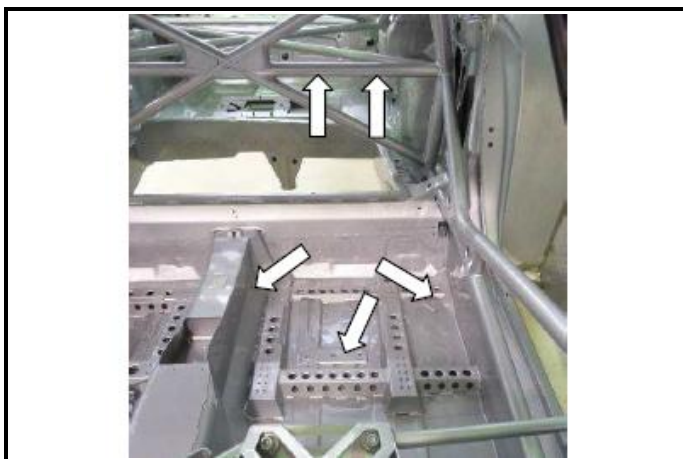
L2-1) Pedal box and footrest - mounted in its location



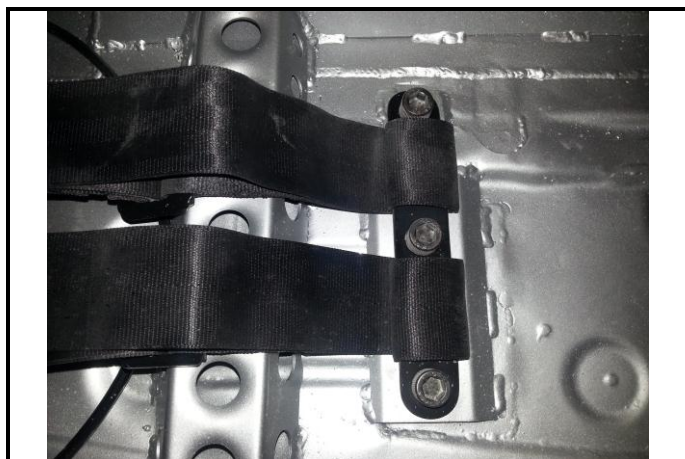
L2-2) Centre panel – mounted in its location



L2-3) Fixation points of seat-belts - mounted in its location



L2-4) Scotch-straps - mounted in its location



Make **AUDI**

Model **TT cup**

ASN Rollcage Certificate N°

HES4590714

Car Type N°

TT cup

902. EXTERIOR

XIII-A1) MATERIALS OF BODYWORK PANELS

METALLIC MATERIALS

Label	Part	Material
03	FRONT BONNET	ALU
05	ROOF	ALU
06	REAR WING	ALU Profile
09	DOOR	ALU
15	REAR BONNET	ALU
16	REAR WING POSTS	ALU 8.00 ± 0.5 mm

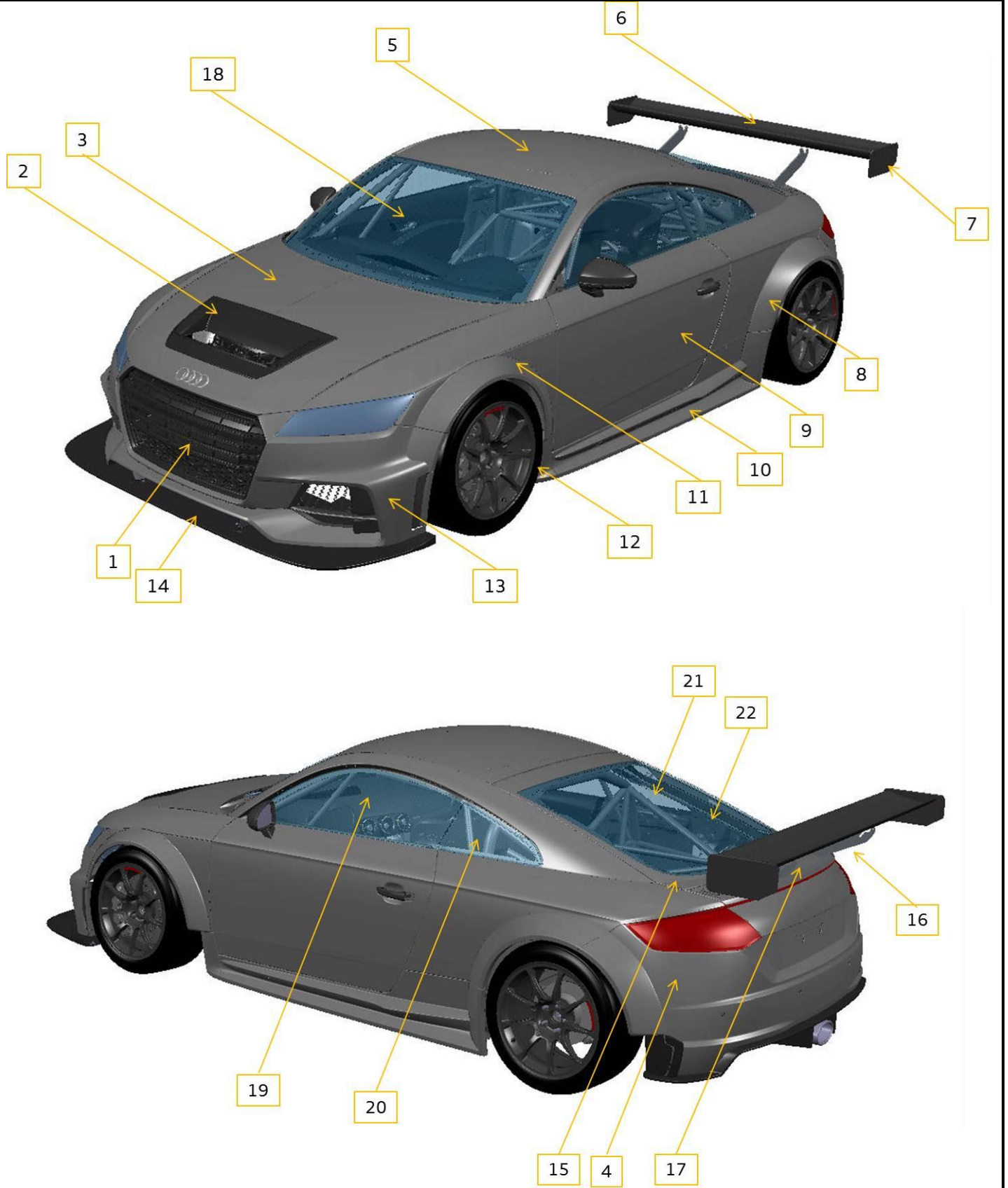
PLASTIC MATERIALS

Label	Part	Material
01	RADIATOR GRILL	PLASTIC
02	BONNET AIR SCOOP	CARBON
04	REAR BUMPER	FIBER GLASS
07	ENDPLATES REAR WING	ALU min 3.00 ± 0.5 mm
08	LEFT / RIGHT REAR FENDER EXTENSION	CARBON (painted)
10	LEFT /RIGHT SILL TRIM PANEL	CARBON (painted)
11	LEFT / RIGHT FRONT FENDER	CARBON (painted)
12	LEFT / RIGHT FRONT FENDER EXTENSION	CARBON/KEVLAR (painted)
13	FRONT BUMPER	FIBER GLASS (painted)
14	FRONT SPLITTER	CARBON
17	REAR BONNET COVER	CARBON (painted) / OPTION : STEEL

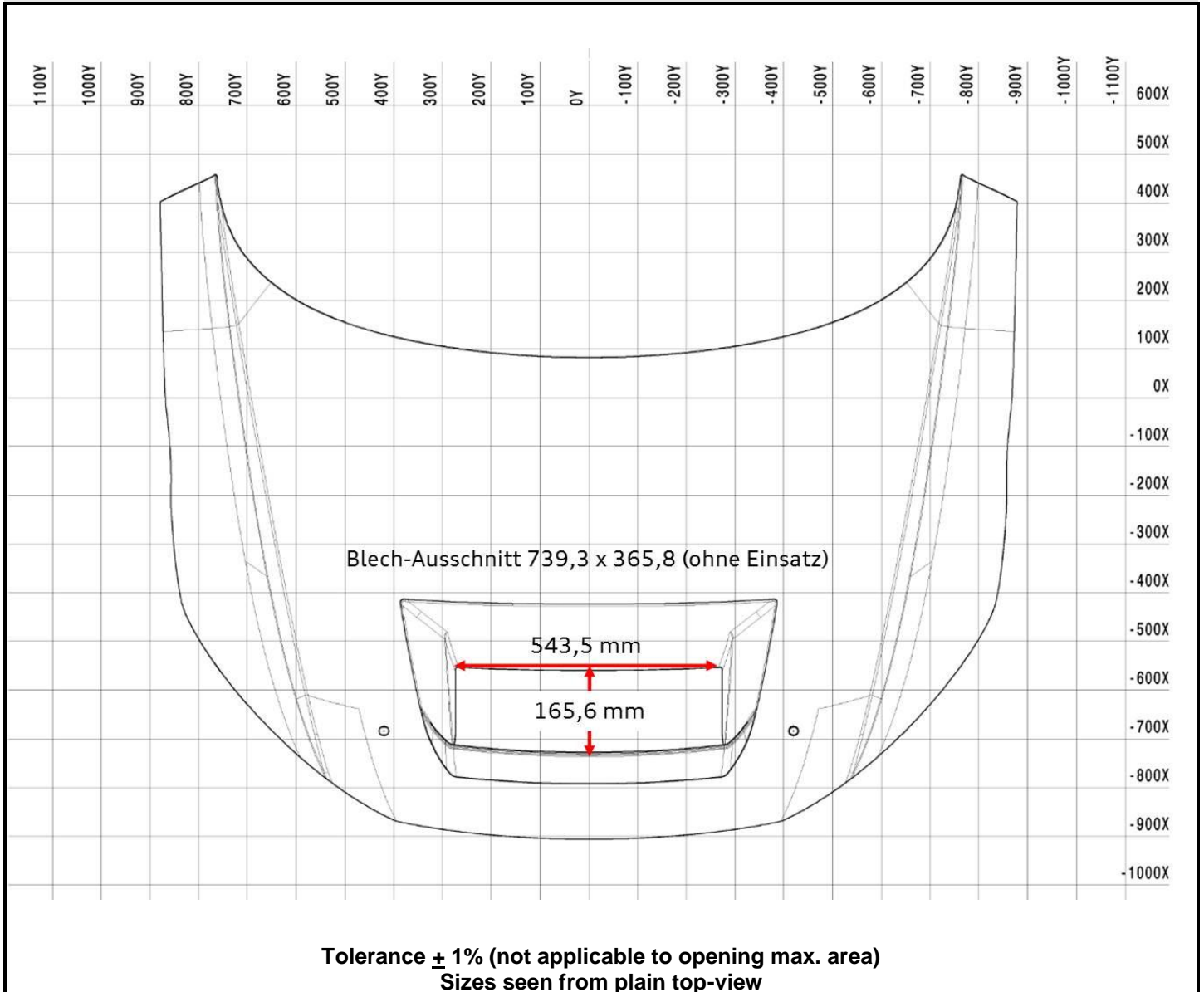
GLAZING

Label	Part	Material	Min. thickness
18	WINDSCREEN	GLASS	4.46 ± 1 mm
19	LEFT / RIGHT FRONT DOOR WINDOW	GLASS	3.85 ± 0.5 mm
20	LEFT REAR TRIANGLE WINDOW	GLASS	3.15 ± 0.5 mm
21	RIGHT REAR TRIANGLE WINDOW	LEXAN MARGARD FMR5XT	4.00 ± 0.5 mm
22	REAR WINDOW	GLASS	4.00 ± 1 mm

DRAWING



XIII-D1) Engine bonnet – dimensions of openings



Make **AUDI**

Model **TT cup**

ASN Rollcage Certificate N°

HES4590714

Car Type N°

TT cup

M5-1) **Front fender mounted**



M6-1) **Rear fender - mounted**



Make **AUDI**

Model **TT cup**

ASN Rollcage Certificate N°

HES4590714

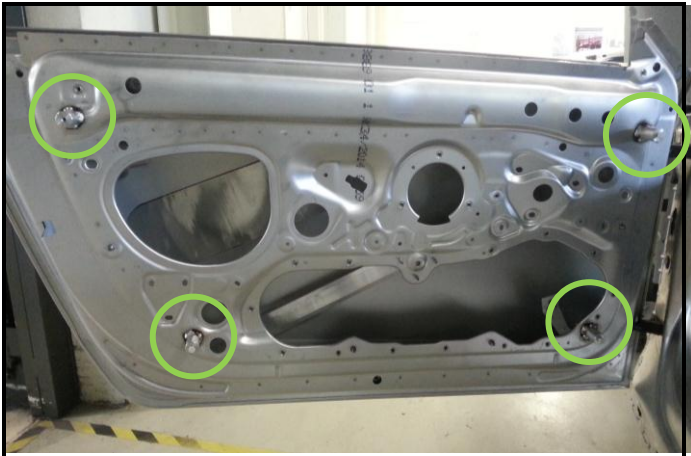
Car Type N°

TT cup

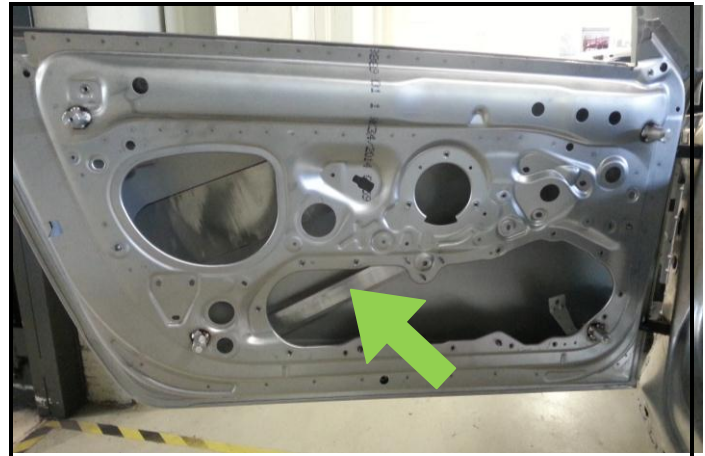
M6-6) Door Sill (Underbody) - dismounted



M7-2) Bare modified **front door** – inner face



M7-3) **Front door** energy absorbing device – in position



NA

NA

Make **AUDI**

Model **TT cup**

ASN Rollcage Certificate N°

HES4590714

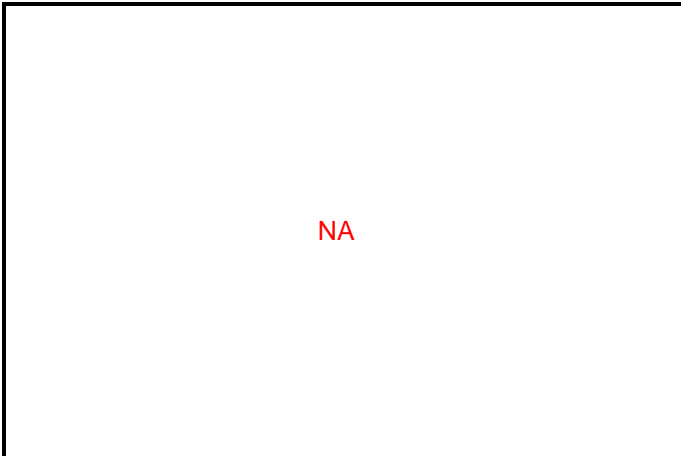
Car Type N°

TT cup

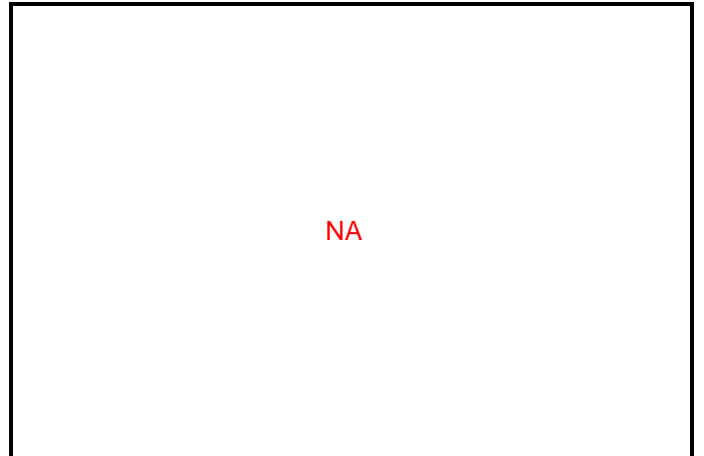
M7-4) **Front side protection panel - mounted**



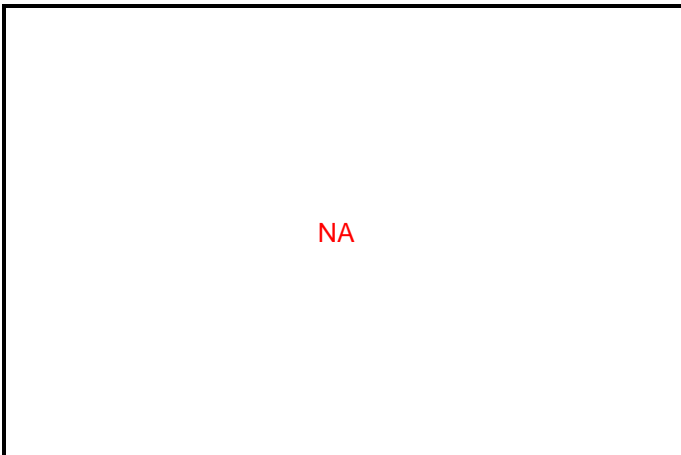
M8-1) Bare standard **rear** door – inner face



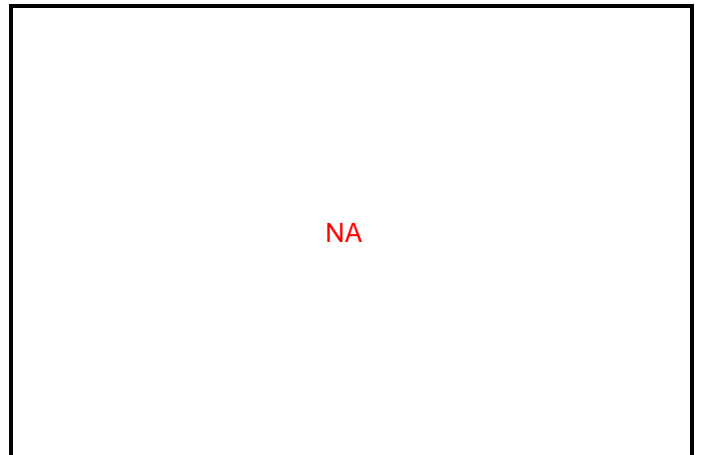
M8-2) **Rear** door energy espng device – dismounted



M8-3) **Rear** side protection panel - dismounted



M8-4) **Rear** side protection panel - mounted



Make **AUDI**

Model **TT cup**

ASN Rollcage Certificate N°

HES4590714

Car Type N°

TT cup

M8-6) **Front wheelarch – modification of wheel arch**



M8-6) **Rear wheelarch – modification of wheel arch**



Make **AUDI**

Model **TT cup**

ASN Rollcage Certificate N°

HES4590714

Car Type N°

TT cup

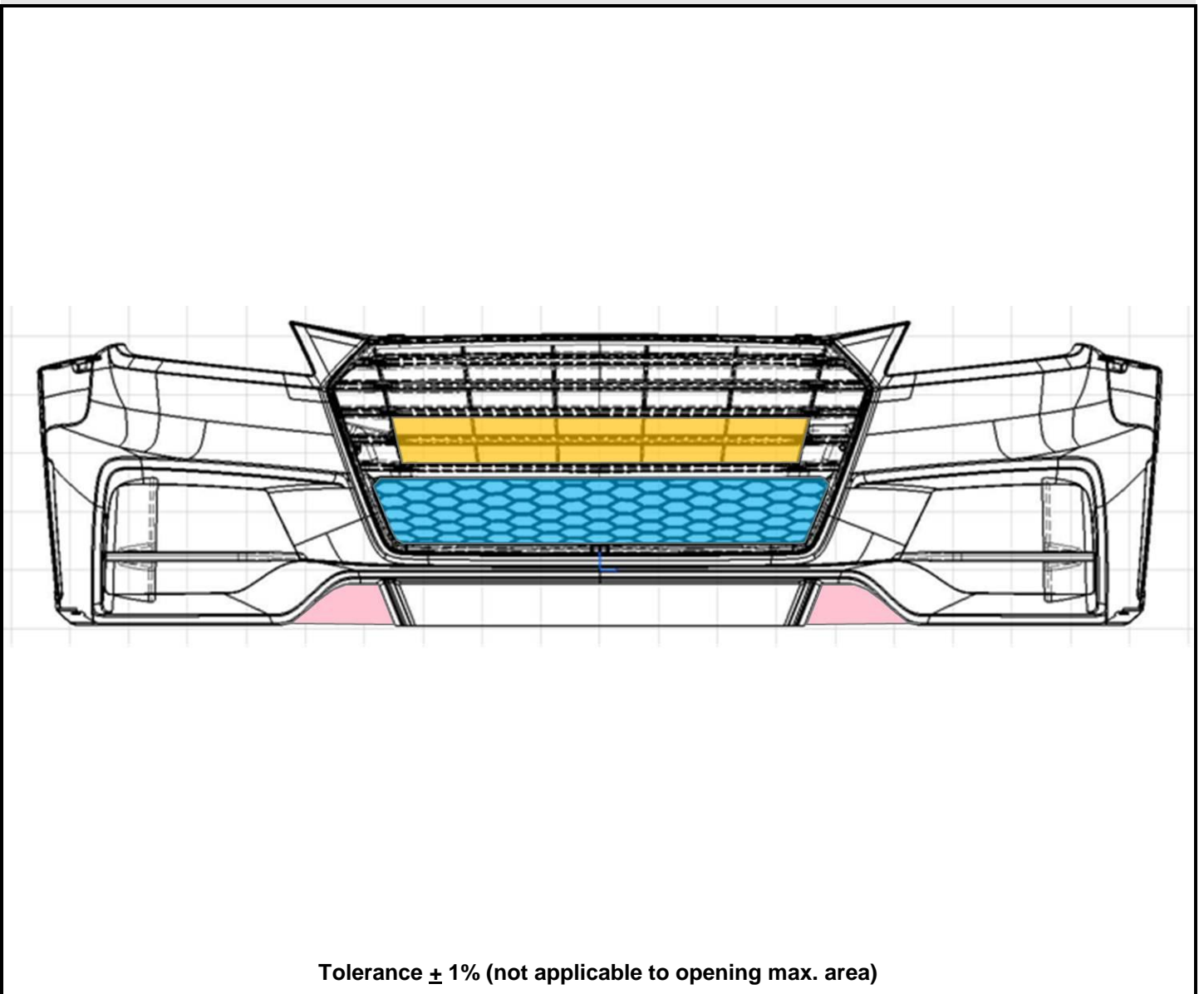
M9-1) **Front bumper - dismounted outer side**



M9-2) **Front bumper - dismounted inner side**



XIII-11) **Front bumper seen from front - dimensions of openings**



Make **AUDI**

Model **TT cup**

ASN Rollcage Certificate N°

HES4590714

Car Type N°

TT cup

M11-1) Rear bumper - dismounted outer side



M11-2) Rear bumper - dismounted inner side



M14-2) Rear wing regulation - mounted



M14-3) Complete rear wing - in position



Make **AUDI**

Model **TT cup**

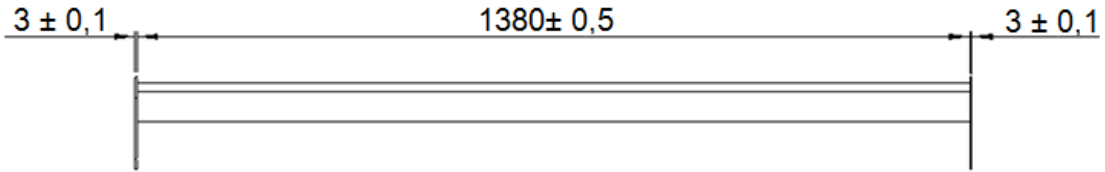
ASN Rollcage Certificate N°

HES4590714

Car Type N°

TT cup

XIII-N1) COMPLETE REAR WING DISMOUNTED



M15-1) Complete front splitter - dismounted



M15-2) Complete front splitter- dismounted



Make **AUDI**

Model **TT cup**

ASN Rollcage Certificate N°

HES4590714

Car Type N°

TT cup

XIII-N2) REAR WING AND SPLITTER MOUNTED ON CAR SEEN FROM THE SIDE (WITH LONGITUDINAL POSITION)



Make **AUDI**

Model **TT cup**

ASN Rollcage Certificate N°

HES4590714

Car Type N°

TT cup

903. CHASSIS (BODYSHELL)

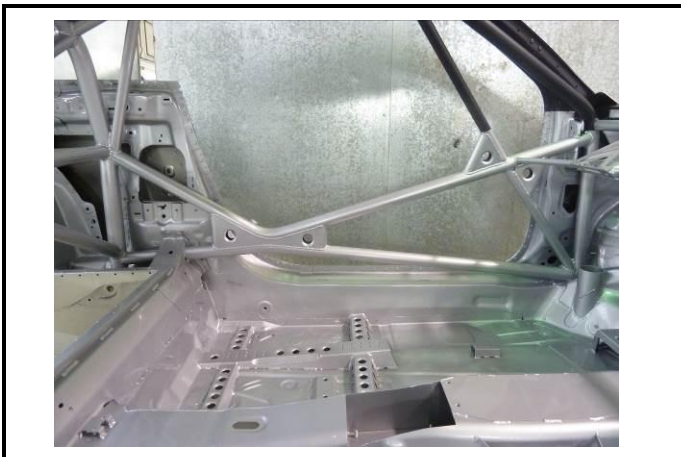
N1-1) Bare bodyshell – General view ¾ front



N1-2) Bare bodyshell – General view ¾ rear



N1-3) Bare bodyshell – Cockpit seen from the right door



N1-4) Bare bodyshell – Cockpit seen from windscreen opening



N1-6) Bare bodyshell – Roof seen from cockpit



Make **AUDI**

Model **TT cup**

ASN Rollcage Certificate N°

HES4590714

Car Type N°

TT cup

N1-7) Bare bodyshell – Luggage compartment



N1-8) Bare bodyshell – Seen from underneath



MODIFICATIONS OF CHASSIS (BODYSHELL)

N3-1) Front bulkhead – Modification for steering column passage



N4-1) Front member – Engine support



N4-2) Front member – Gearbox support



N10-1) Front wheel housing – mounted



Make **AUDI**

Model **TT cup**

ASN Rollcage Certificate N°

HES4590714

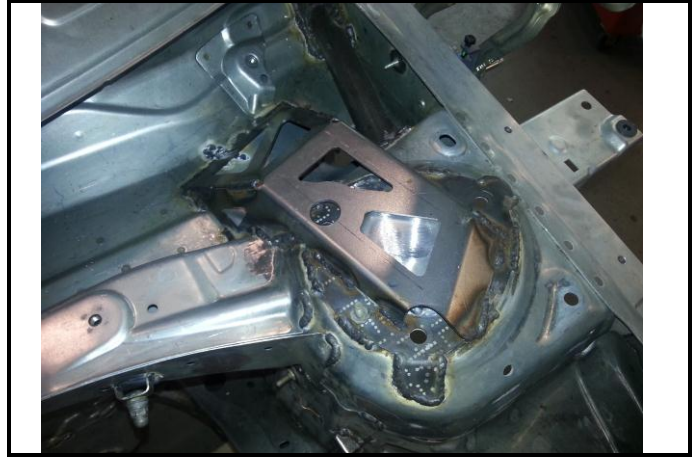
Car Type N°

TT cup

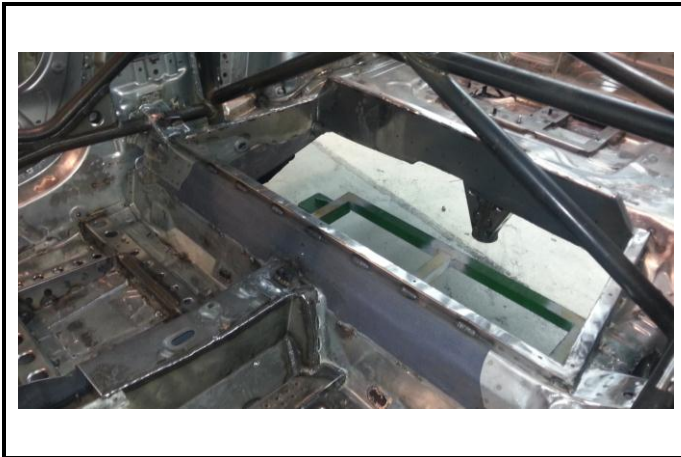
N10-2) Front suspension turret – top mount



N10-3) Front suspension turret – top mount



N10-4) Cut out for fuel-cell



N10-5) Modification of tunnel for seat-clearance left



N10-4) Seat brackets left and right



Make **AUDI**

Model **TT cup**

ASN Rollcage Certificate N°

HES4590714

Car Type N°

TT cup

COMPLEMENTARY INFORMATION

Air jack – nozzle connector – in its position

